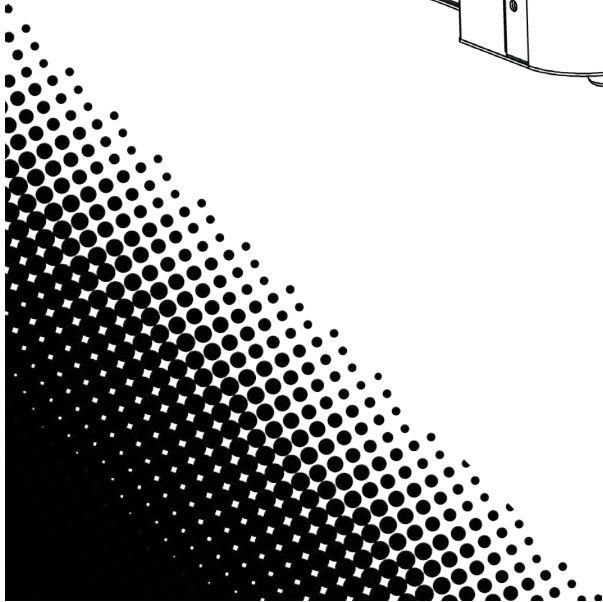
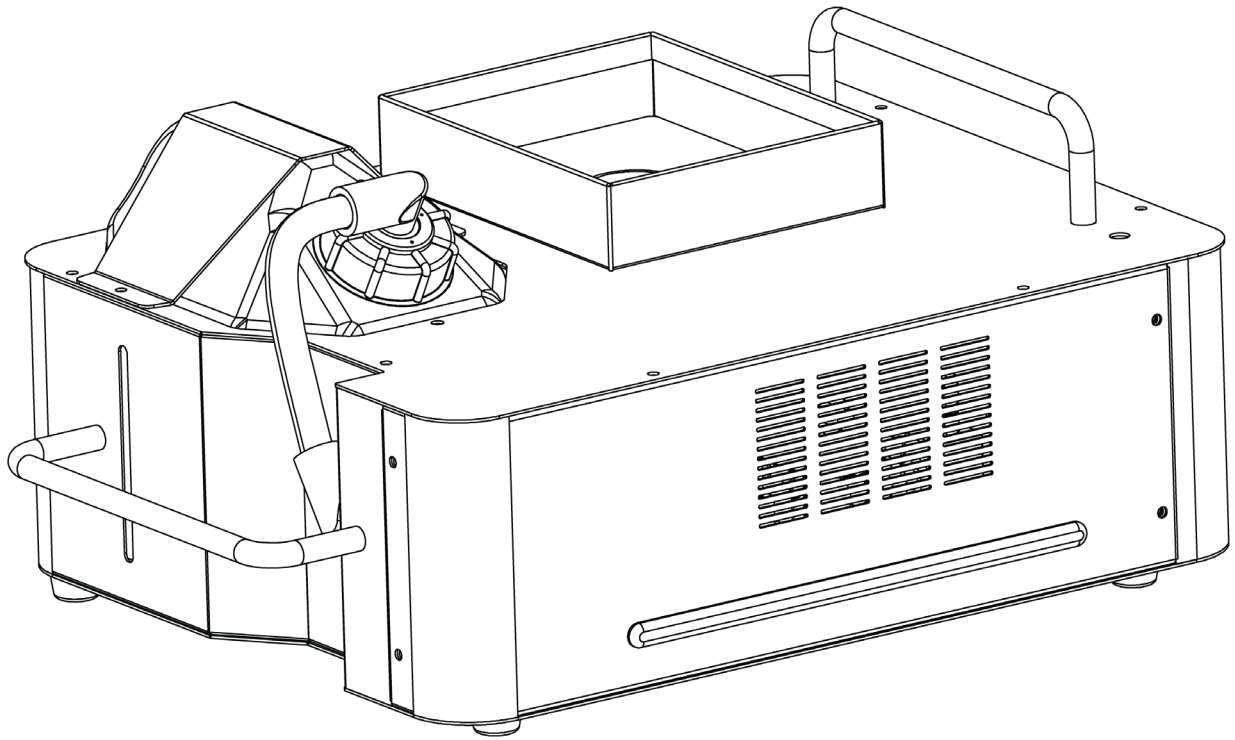


GEYSER™ RGB



User Manual



CHAUVET®
Value · Innovation · Performance
It's
Green Thinking.

TABLE OF CONTENTS

1. Before You Begin	3
What Is Included	3
Unpacking Instructions	3
Claims	3
Text Conventions	3
Symbols	3
Disclaimer	3
Product at a Glance	4
Safety Notes	4
2. Introduction	5
Overview	5
Dimensions	6
3. Setup	7
AC Power	7
Fuse Replacement	7
Mounting	8
Orientation	8
Rigging	8
4. Operation	10
Control Panel Operation	10
Menu Map	10
Configuration (DMX)	10
Starting Address	10
DMX Channel Modes, Assignments, and Values	11
8-Channel	11
Configuration (Standalone)	12
Automatic Mode	12
Master/Slave Mode	12
Wireless Remote Control	12
5. Technical Information	13
Fogger Maintenance	13
Storage	13
6. Technical Specifications	14
Returns	15
Contact Us	15

1. BEFORE YOU BEGIN

What Is Included

- Geysert[™] RGB
- Power Cord
- FC-W Wireless Remote Control
- Warranty Card
- Quick Reference Guide

Unpacking Instructions

Carefully unpack the product immediately and check the container to make sure all the parts are in the package and are in good condition.

Claims




If the box or the contents (the product and included accessories) appear damaged from shipping, or show signs of mishandling, notify the carrier immediately, not CHAUVET[®]. Failure to report damage to the carrier immediately may invalidate your claim. In addition, keep the box and contents for inspection.

For other issues, such as missing components or parts, damage not related to shipping, or concealed damage, file a claim with CHAUVET[®] within 7 days of delivery.

Text Conventions

Convention	Meaning
1~512	A range of values
50/60	A set of values of which only one can be chosen
Settings	A menu option not to be modified
Menu > Settings	A sequence of menu options to be followed
<ENTER>	A key to be pressed on the product's control panel
ON	A value to be entered or selected

Symbols

Symbol	Meaning
	Critical installation, configuration, or operation information. Not following these instructions may make the product not work, cause damage to the product, or cause harm to the operator.
	Important installation or configuration information. The product may not function correctly if this information is not used.
	Useful information.

Disclaimer











The information and specifications contained in this User Manual are subject to change without notice. CHAUVET[®] assumes no responsibility or liability for any errors or omissions, and reserves the right to revise or recreate this manual at any time. Download the latest version from www.chauvetlighting.com.

© Copyright 2012 CHAUVET[®]. All rights reserved.

Electronically published by CHAUVET[®] in the United States of America.

Author	Date	Editor	Date
A. Leon	11/08/12	S. Diaz	11/08/12

Product at a Glance

Use on Dimmer		Auto Programs	
Outdoor Use		Fixed voltage (120 V or 230 V)	
Sound Activated		Replaceable Fuse	
DMX		User-Serviceable	
Master/Slave		Duty Cycle	

Safety Notes

These notes include important information about the mounting, usage, and maintenance of this product; read before using the product.



- Always connect the product to a grounded circuit to avoid the risk of electrocution.
- Always disconnect the product from the power source before cleaning or replacing the fuse.
- Avoid direct eye exposure to the light source while the product is on.
- Make sure the power cord is not crimped or damaged.
- Never disconnect the product from power by pulling or tugging on the cord.
- If mounting the product overhead, always secure to a fastening device using a safety cable.
- Make sure there are no flammable materials close to the product when operating.
- Do not touch the product's housing when operating because it may be very hot.
- Do not mount the product on a flammable surface (linoleum, carpet, wood, paper, carton, plastic, etc.)
- The product's nozzle is very hot during operation and it remains hot for a long time after operation has stopped.
- The fog exits the nozzle at a very high temperature. Keep a minimum distance of 6.5 ft (2 m) from the nozzle to the nearest object.
- Do not use the product as a space heater.
- Do not drink or become in contact with the fog fluid. If you do, call your local emergency service (911 in the US) for help.
- Do not add perfume, alcohol, gasoline, or any other flammables to the fog fluid.



- Always make sure that the voltage of the outlet to which you are connecting the product is within the range stated on the decal or panel of the product.
- The product is for indoor use only! (IP20) To prevent risk of fire or shock, do not expose the product to rain or moisture.
- Always install the product in a location with adequate ventilation, at least 20 in (50 cm) from adjacent surfaces.
- Be sure that no ventilation slots on the product's housing are blocked.
- Make sure there is adequate fog fluid in the machine to prevent pump and heater damage.
- Never connect the product to a dimmer.
- Make sure to replace the fuse with another of the same type and rating.
- Never carry the product by the power cord or any moving part. Always use the handles.
- The maximum ambient temperature (Ta) is 104° F (40° C). Do not operate the product at higher temperatures.
- In the event of a serious operating problem, stop using the product immediately.
- Never try to repair the product. Repairs carried out by unskilled people can lead to damage or malfunction. Contact the nearest authorized technical assistance center.
- This product is not intended for permanent installation.
- Use only CHAUVET® water-based fog fluid.
- Drain the tank before transporting the product.



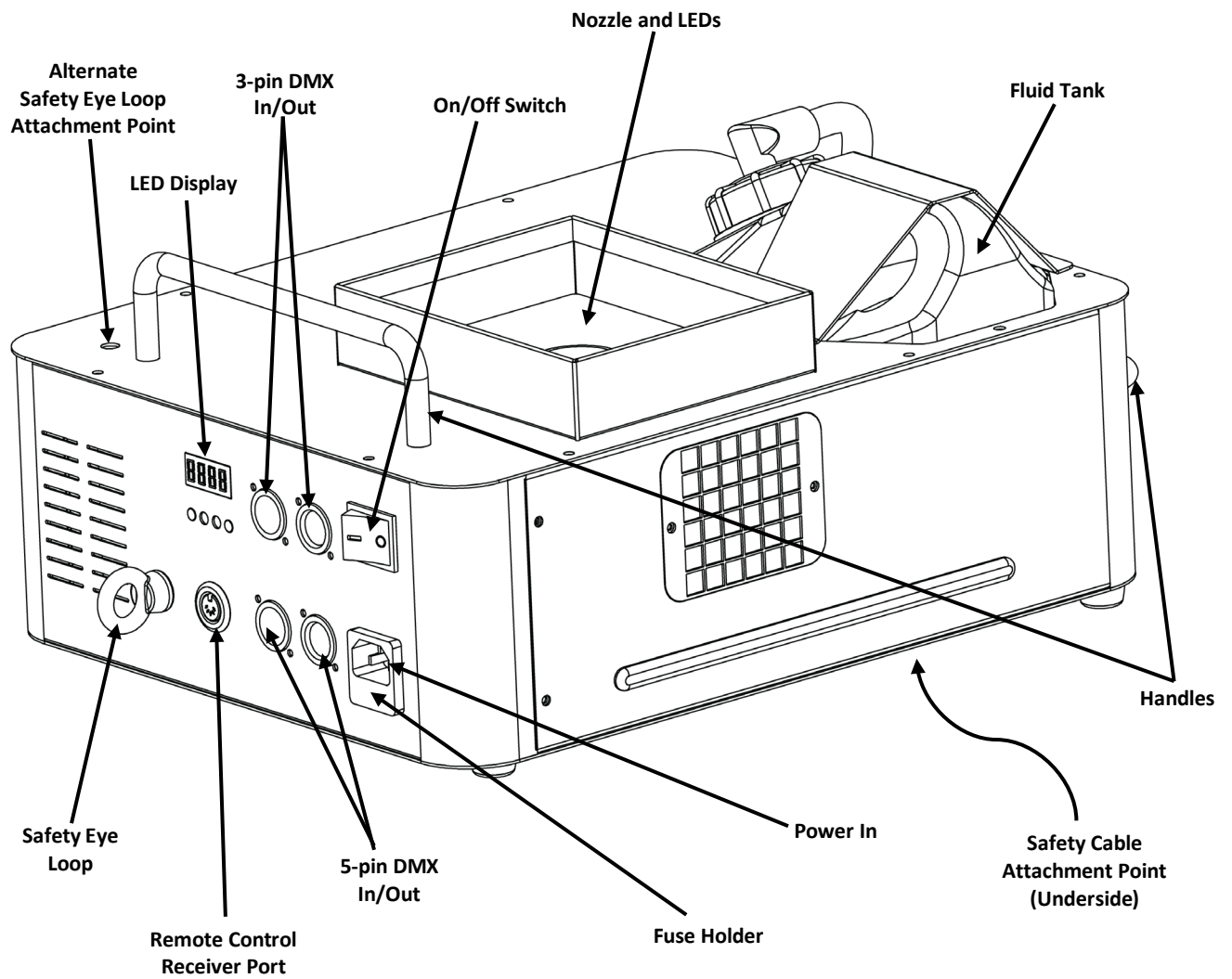
- Keep this User Manual for future use. If you sell the product to another user, be sure to give this document to the next owner.



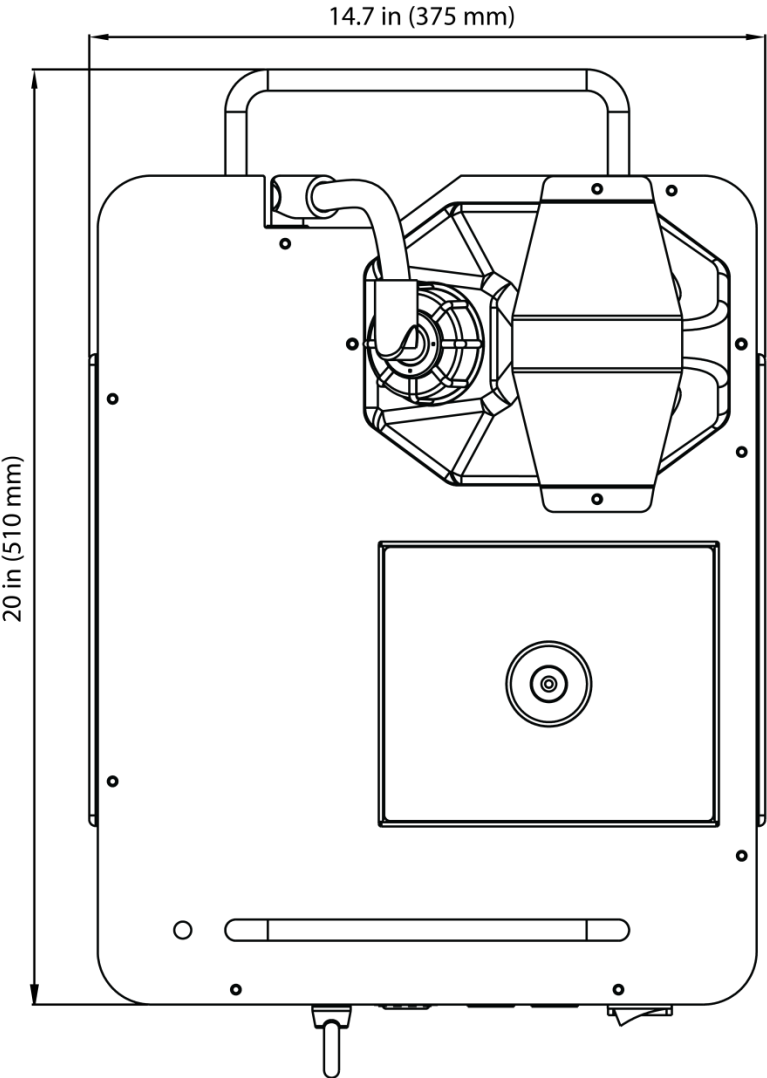
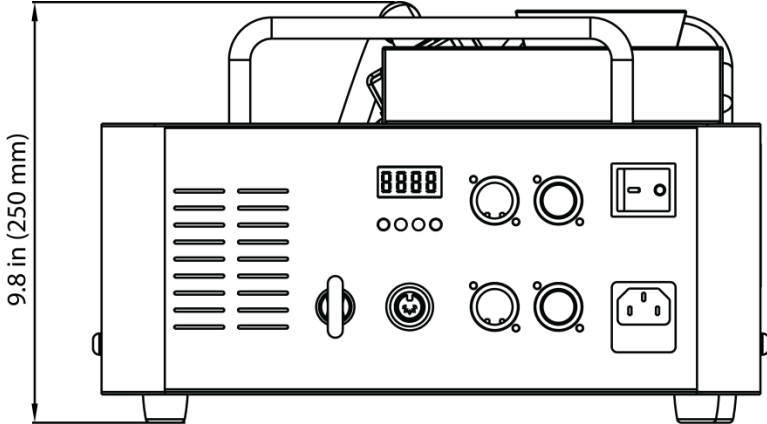
- Fog Cleaner Quart (FCQ) was specifically developed by CHAUVET® to clean your Geyser™ RGB. Make sure you use FCQ regularly to increase the life of your fogger.

2. INTRODUCTION

Overview



Dimensions



3. SETUP

AC Power The Geyser™ RGB has a fixed voltage power supply and it can work with an input voltage of either 120 V, 60 Hz or 230 V, 50 Hz, depending on the specific model.

To determine the product's power requirements (circuit breaker, power outlet, and wiring), use the current value listed on the label affixed to the product's panel, or refer to the product's specifications chart. The listed current rating indicates the product's average current draw under normal conditions.



Always connect the product to a protected circuit (circuit breaker or fuse). Make sure the product has an appropriate electrical ground to avoid the risk of electrocution or fire.



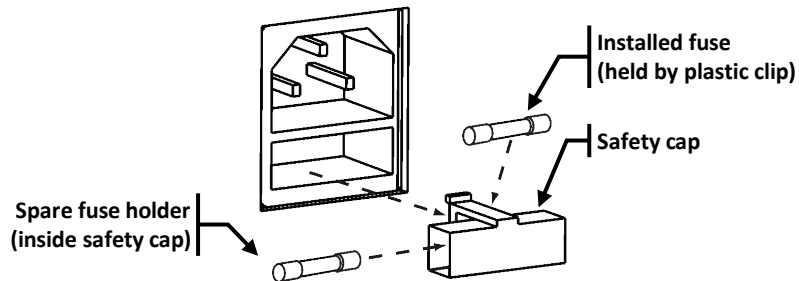
Never connect the product to a rheostat (variable resistor) or dimmer circuit, even if the rheostat or dimmer channel serves only as a 0~100% switch.

Fuse Replacement



Disconnect the product from power before replacing the fuse.

1. Disconnect the product from power.
2. Wedge the tip of a flat-head screwdriver into the slot of the fuse holder.
3. Pry the fuse holder out of the housing.
4. Remove the blown fuse from the holder.
5. Replace with a fuse of the exact same type and rating.
6. Insert the fuse holder back in place and reconnect power.



A spare fuse is not included; however, the safety cap has room for a spare.



Always replace a blown fuse with the same type and rating.

Mounting Before mounting the product, read and follow the safety recommendations indicated in the Safety Notes.

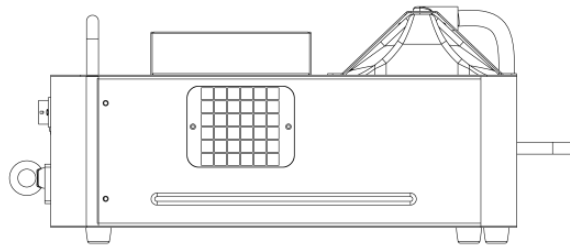
Orientation Primarily, the Geyser™ RGB is to be floor mounted in a vertical fog jet orientation. The Geyser™ RGB may also be mounted in a floor mounting/horizontal fog jet orientation or in an overhead mounting/downward fog jet orientation, but follow instructions closely to avoid tank spills.



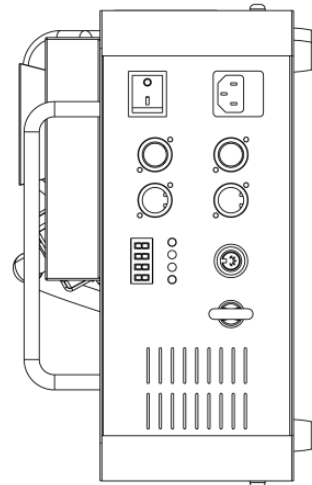
When mounting the Geyser™ RGB in any inverted position, remove the fluid tank from the holder and set it upright on an adjacent surface.

- Rigging**
- Before deciding on a location, always make sure there is easy access to the product for maintenance and fluid replenishment.
 - Make sure that the structure or surface onto which you are mounting the product can support the product's weight (see the [Technical Specifications](#)).
 - When mounting the product overhead, always use a safety cable. Mount the product securely to a rigging point, such as an elevated platform or a truss.
 - When rigging the product onto a truss, you should use mounting clamps of appropriate weight capacity. Three 13-mm holes are on the bottom of the product, which are appropriate for this purpose.
 - The rubber feet also serve as floor supports. When mounting the product on the floor, make sure that the product and cables are away from people and vehicles.

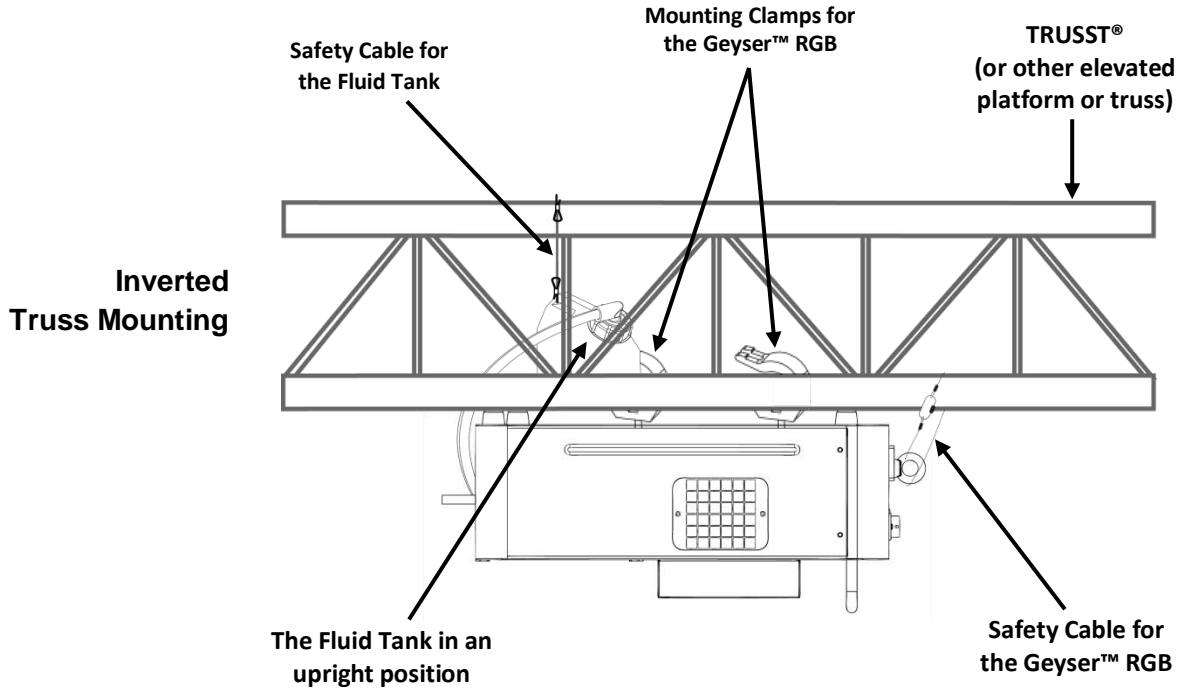
Floor Mounting



Floor Mounting – Vertical Fog Jet



Floor Mounting – Horizontal Fog Jet



Overhead Mounting – Downward Fog Jet



With inverted mounting, avoid spillage of the fog fluid by setting the fluid tank in an upright position. Be sure to use a safety cable for both the Geyser™ RGB and the fluid tank when rigging in this manner.

4. OPERATION

Control Panel Operation

To access the control panel functions, use the four buttons located underneath the display.

Button	Function
<MENU>	Selects an operation mode or to backs out of the current menu option
▲(<UP>)	Scrolls up the list of options or selects a higher value
▼(<DOWN>)	Scrolls down the list of options or selects a lower value
<ENTER>	Activates a menu option or a selected value

Menu Map

Mode	Programming Steps		Description
DMX Mode	Addr	1~512	Selects the DMX starting address
		rAnd	Selects random color program
Color Program	CoLo	Co 1~Co 9	Selects preset colors
		on	Selects fluid sensor to on or off
orL	oFF		

Configuration (DMX)

Set the product in DMX mode to control with a DMX controller.

1. Connect the product to a suitable power outlet.
2. Turn the product on.
3. Connect a DMX cable from the DMX output of the DMX controller to the DMX input socket on the product.

Starting Address

When selecting a starting DMX address, always consider the number of DMX channels the selected DMX mode uses. If you choose a starting address that is too high, you could restrict the access to some of the product's channels.

The Geyser™ RGB uses up to 8 DMX channels in its 8-Channel mode, which defines the highest configurable address to **505**.

If unfamiliar with DMX, download the DMX Primer from www.chauvetlighting.com.

To select the starting address, do the following:

1. Press <MENU> repeatedly until **Addr** shows on the display.
2. Press <ENTER>.
3. Use <UP> or <DOWN> to select the starting address.



HEAT shows on the display when you first turn the product on and intermittently during the heat-up time of the fog fluid; however, you can configure the product during this time.

DMX Channel Modes, Assignments, and Values

8-Channel	Channel	Function	Value	Setting
1	Fog		000 ⇔ 009	No function
			010 ⇔ 255	Fog on
2	Red		000 ⇔ 009	No function
			010 ⇔ 255	0~100%
3	Green		000 ⇔ 009	No function
			010 ⇔ 255	0~100%
4	Blue		000 ⇔ 009	No function
			010 ⇔ 255	0~100%
5	Color Mixing		000 ⇔ 009	No function
			010 ⇔ 255	Color mixing
6	Auto Speed		000 ⇔ 009	No function
			010 ⇔ 255	Speed, slow to fast
7	Strobe		000 ⇔ 009	No function
			010 ⇔ 255	Strobe, slow to fast
8	Dimmer		000 ⇔ 009	No function
			010 ⇔ 255	0~100%

Configuration (Standalone)

Set the product to Automatic mode to control without a DMX controller.

1. Connect the product to a suitable power outlet.
2. Turn the product on.



Never connect a product that is operating in any standalone mode to a DMX string connected to a DMX controller. Products in standalone mode may transmit DMX signals that could interfere with the DMX signals from the controller.

Automatic Mode

To select either the preset color program or one preset color to illuminate the fog, follow the instructions below:

1. Press **<MENU>** repeatedly until **CoLo** shows on the display.
2. Press **<ENTER>**.
3. Use **<UP>** or **<DOWN>** to select **rAnd** (for random colors) or **Co 1-Co 9** (to choose one of nine preset colors).

Master/Slave Mode

The Master/Slave mode allows a single Geyser™ RGB unit (the “master”) to control the actions of one or more Geyser™ RGB units (the “slaves”) without the need of a DMX controller. The master unit will be set to operate in Automatic or Manual mode, while the slave units will be set to operate in DMX mode. Once set and connected, the slave units will operate in unison with the master unit.

Configure the units as indicated below.

Slave units:

1. Set the DMX address to **1**.
2. Connect the DMX input of the first slave unit to the DMX output of the master unit.
3. Connect the DMX input of the subsequent slave units to the DMX output of the previous slave unit.
4. Finish setting and connecting all the slave units.

Master unit:

1. Set the master unit to operate in Automatic or Manual mode.
2. Make the master unit the first unit in the DMX daisy chain.



- **Configure all the slave units before connecting the master unit to the DMX daisy chain.**
- **Never connect a DMX controller to a DMX string configured for Master/Slave operation because the controller may interfere with the signals from the master unit.**
- **Do not connect more than 31 slave units to the master unit.**

Wireless Remote Control

To trigger fog output using the wireless remote control, do the following:

1. Plug the wireless receiver into the Remote Control Receiver port on the side of the Geyser™ RGB.
2. On the wireless transmitter, press the button assigned to the Geyser™ RGB. The Geyser™ RGB emits fog for as long as you hold down the button.

To learn how to configure the receiver and operate the transmitter, download the FC-W Wireless Remote Controller instructions from www.chauvetlighting.com.

5. TECHNICAL INFORMATION

Fogger Maintenance

Do not allow the fogger machine to become contaminated. After every 40 hours of continuous operation, CHAUVET® recommends running a cleaning solution composed of 80% distilled water and 20% distilled vinegar through the system to prevent the accumulation of particulate matter in the heating element.

The recommended cleaning procedure is as follows:

1. Empty all fog fluid from the machine.
2. Add cleaning solution to tank.
3. Plug unit in and allow it to warm up.
4. Run the unit in a well-ventilated area until the tank is almost empty. Do not allow the pump to run dry.
5. Cleaning is now complete. Refill with fog fluid. Run the machine briefly to clear any cleaning solution from the pump and heater.



- Fog Cleaner Quart (FCQ) was specifically developed by CHAUVET® to clean your Geyser™ RGB. Make sure you use FCQ regularly to increase the life of your fogger.

Storage

Before storing the product, run distilled water (not tap water) through the system as described in the cleaning procedure above. This will help to avoid any particles condensing inside the pump or heater.

It is strongly recommended to test-run the machine on a monthly basis in order to achieve its best fogging condition.

6. TECHNICAL SPECIFICATIONS

Dimensions and Weight	Length	Width	Height	Weight
	20 in (510 mm)	14.7 in (375 mm)	9.8 in (250 mm)	21 lbs (9.6 kg)
Note: Dimensions in inches rounded to the nearest decimal digit.				
Power	Power Supply Type	Range	Voltage Selection	
	Model-specific	120 VAC, 60 Hz or 230 VAC, 50 Hz	Fixed	
	Parameter	120 V, 60 Hz	230 V, 50 Hz	
	Consumption	1500 W	1500 W	
	Operating/Inrush current	11.6 A/11.6 A	6.2 A/6.2 A	
	Fuse	F 15 A, 250 V	F 8 A, 250 V	
Light Source	Power I/O	US/Worldwide	UK/Europe	
	Power input connector	IEC	IEC	
	Power output connector	Edison	IEC	
	Power Cord plug	Edison (US)	Local plug	
Photo Optic	Type	Power	Lifespan	
	LED	3 W	50,000 hours	
	Color	Quantity	Current	
	Red	7	800 mA	
	Green	7	800 mA	
	Blue	7	800 mA	
Operation/Capacity/Consumption	Parameter			
	Illuminance @ 2 m	4870 lx		
Misc.	Heat-up Time	Tank Capacity	Fluid Consumption	
	4 min	0.66 gal (2.5 l)	8 min/1 l	
Thermal	Output			
	4000 cfm			
DMX	Maximum External Temp.	Cooling System		
	104° F (40° C)	Convection		
Ordering	I/O Connectors	Connector Type	Channel Range	
	3- and 5-pin XLR	Sockets	8	
Ordering	Product Name	Item Code	UPC Number	
	Geyser™ RGB	05070561	781462209094	
	Geyser™ RGB 220 V	05070567	781462209155	



To return a product or request support:

- In the U.S., contact CHAUVET® World Headquarters.
- In the UK or Ireland, contact CHAUVET® Europe Ltd.
- In any other country, DO NOT contact CHAUVET®. Contact your distributor. See www.chauvetlighting.com for distributors outside the U.S., United Kingdom, or Ireland.



If you live outside the U.S., United Kingdom, or Ireland, contact your distributor of record and follow their instructions on how to return CHAUVET® products to them. Visit our website for contact details.

Returns

Call the corresponding CHAUVET® Technical Support office and request a Return Merchandise Authorization (RMA) number before shipping the product. Be prepared to provide the model number, serial number, and a brief description of the cause for the return.

You must send the merchandise prepaid, in its original box, and with its original packing and accessories. CHAUVET® will not issue call tags.

Clearly label the package with the RMA number. CHAUVET® will refuse any product returned without an RMA number.



Write the RMA number on a properly affixed label. DO NOT write the RMA number directly on the box.

Before sending the product, clearly write the following information on a piece of paper and place it inside the box:

- Your name
- Your address
- Your phone number
- The RMA number
- A brief description of the problem

Be sure to pack the product properly. Any shipping damage resulting from inadequate packaging will be your responsibility. FedEx packing or double-boxing are recommended.



CHAUVET® reserves the right to use its own discretion to repair or replace returned product(s).

Contact Us

World Headquarters CHAUVET®

General Information

Address: 5200 NW 108th Avenue
Sunrise, FL 33351
Voice: (954) 577-4455
Fax: (954) 929-5560
Toll free: (800) 762-1084

Technical Support

Voice: (954) 577-4455 (Press 4)
Fax: (954) 756-8015
Email: tech@chauvetlighting.com

World Wide Web

www.chauvetlighting.com

United Kingdom & Ireland CHAUVET® Europe Ltd.

General Information

Address: Unit 1C
Brookhill Road Industrial Estate
Pinxton, Nottingham, UK
NG16 6NT
Voice: +44 (0)1773 511115
Fax: +44 (0)1773 511110

Technical Support

Email: uktech@chauvetlighting.com

World Wide Web

www.chauvetlighting.co.uk