



# Swivel Arm - Studio Rail Mounted

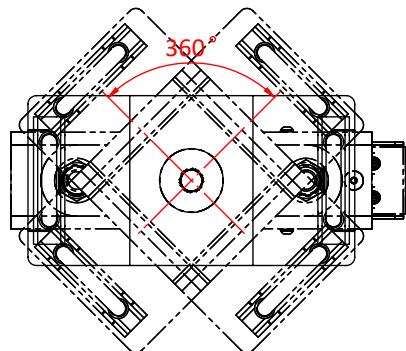
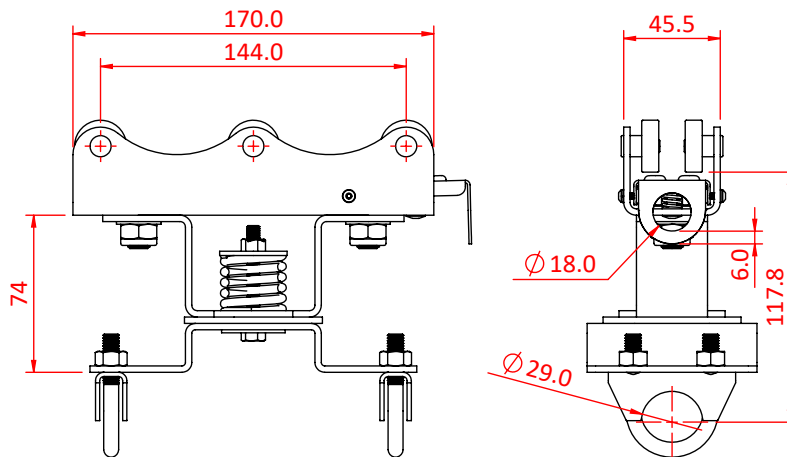
Product Data Sheet



A Swivel Arm mounted on a braked Studio Rail Carriage	
<b>Part Nos</b>	T84515 T84516 - Supplied with 25mm x 2.0m Tube
<b>Fitted with</b>	T63749 "U" Bolts x 2
<b>Material</b>	Mild Steel - Plates, Carriage & "U" Bolts Stainless 303 - Overload washer Grade 8.8 - Fixings Portmere Rubber - Nebar Pad Grade ND3 Steel Wire - Spring
<b>Finish</b>	Powder painted black
<b>Tube Diameter</b>	Ø25mm
<b>WLL</b>	Up to 25Kg

T84515

Dimensions in mm



T84516

