

TrainTrack & TrainTrack Plus

Pedalboard Mounting Brackets



Installation Guide

Radial Engineering Ltd.
1165-1845 Kingsway Ave, Port Coquitlam
British Columbia, Canada, V3C 0H3
Tel: 604-942-1001 • www.radialeng.com
Email: info@radialeng.com

Radial® TrainTrack Installation Guide

Table of Contents	Page
Compatible Devices.....	1
What's Included.....	1
Mounting on a Pedaltrain pedalboard.....	2-3
Mounting on a modular pedalboard.....	4-5
Warranty.....	6

Thank you for purchasing the Radial TrainTrack pedalboard mounting bracket, a simple but effective tool for affixing Radial devices to the underside of a pedalboard.

We recommend you take a few minutes to read this short installation guide before you mount your Radial device to your pedalboard. Should you have any questions about the TrainTrack or the TrainTrack Plus, please visit our website at www.radialeng.com for additional resources and frequently asked questions.

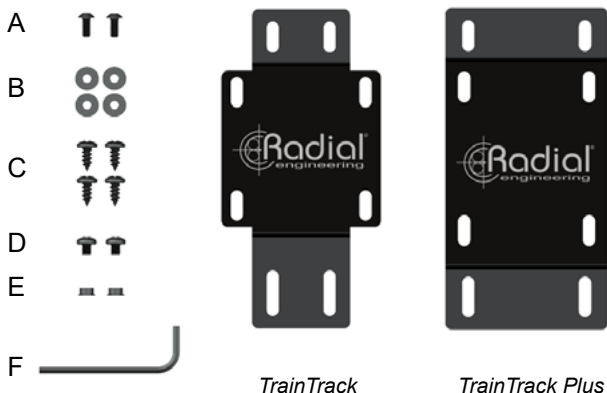
COMPATIBLE DEVICES

Before you begin installation, please confirm that your Radial device and your pedalboard are compatible with either the TrainTrack or the TrainTrack Plus. You can verify this using the updated compatibility list on our website at www.radialeng.com/product/traintrack.

In general, the TrainTrack is compatible with the Radial Highline, ProDI, and other Radial devices with the same dimensions, while the TrainTrack Plus is designed for the larger-sized Highline Stereo, JDI, and the J48. Both TrainTrack brackets are designed primarily for use with Pedaltrain pedalboards (Classic JR and larger), but they can also be mounted on certain modular pedalboard models.

WHAT'S INCLUDED

Each TrainTrack bracket ships with the following hardware: 2x 5/16" Hex Screws (A), 4x Washers (B), 4x Self-Tapping Screws (C), 2x Machine Screws (D), 2x Hex Nuts (E), and 1x Hex Key (F).



Inside the package, you will also find either the TrainTrack or the TrainTrack Plus bracket, depending on which item you ordered.

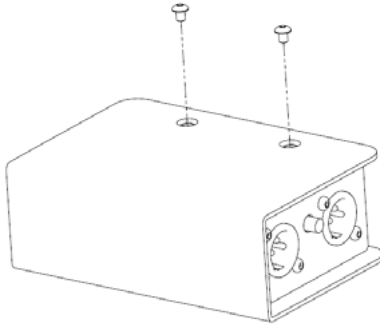
The following additional items are also required for installation: a Phillips head screwdriver, a drill with a 1/8" or 3mm drill bit, and a pen or marker.



MOUNTING ON A PEDALTRAIN PEDALBOARD

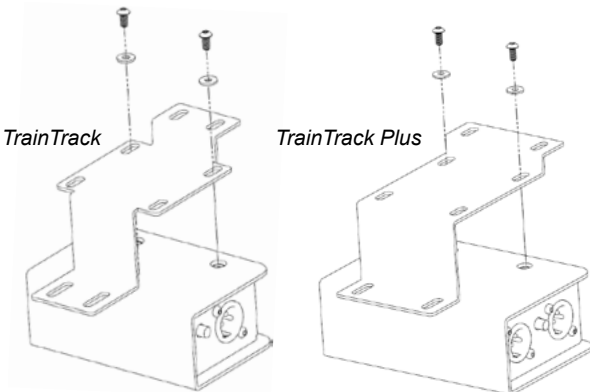
1. Remove the two screws from the bottom of the Radial enclosure using the hex key (F). As an optional step, you can remove the foam pad from the bottom of the Radial device for a better fit with the TrainTrack.

To remove the foam pad, use a heat gun or a blow dryer to gently heat up the adhesive on the pad, then gently scrape it off with a *plastic* putty knife. Any excess adhesive residue left on the enclosure can be removed by using 99% isopropyl alcohol.



Step 1. Remove screws

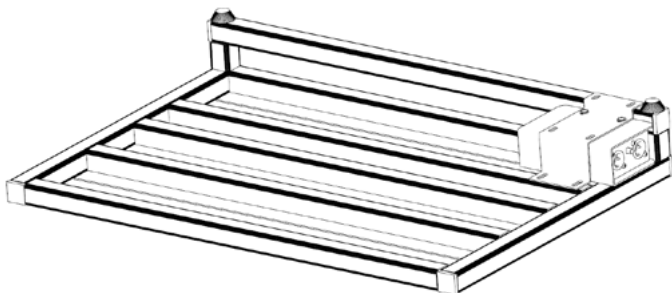
2. Align the Radial enclosure with the TrainTrack's mounting holes. Use two of the 5/16" hex head screws (A) and two washers (B) to secure the Traintrack to the Radial device.



Step 2. Attach the TrainTrack to the Radial Device

3. Flip over your pedalboard and place the TrainTrack assembly where you would like it to be installed. Make sure to orient the Radial device so the XLR output(s) are facing outward.

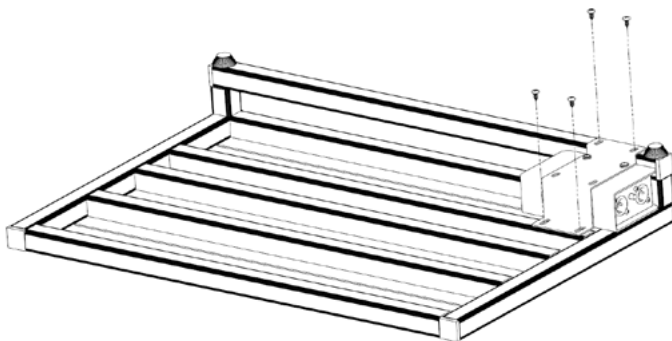
Note that with the TrainTrack you can mount your Radial device on either side of the pedalboard, and it is possible to align the edge of the Radial device so it sits flush with the outer edge of the pedalboard, making it easy to access the output connectors.



Step 3. Choose the placement for the TrainTrack assembly

4. Make four marks on the pedalboard that line up with the slots on the TrainTrack, then drill four pilot holes in the pedalboard using a 1/8" or 3mm drill bit.

Finally, use four of the self-tapping screws (C) and a Phillips head screwdriver to securely affix the TrainTrack assembly to your pedalboard.

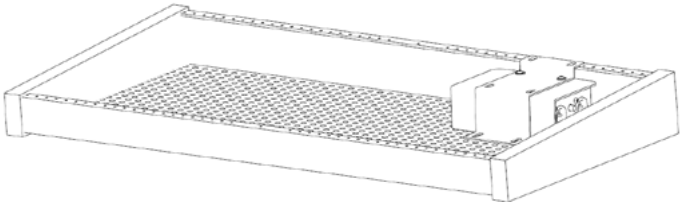


Step 4. Drill pilot holes and affix the TrainTrack to the pedalboard

MOUNTING ON A MODULAR PEDALBOARD

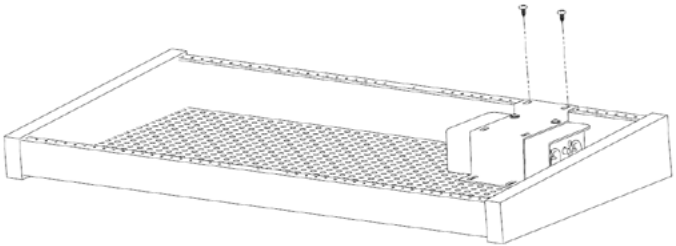
To mount the TrainTrack on a modular pedalboard, first follow steps 1 and 2 from the previous section of this guide to affix the TrainTrack to your Radial device.

3. Flip over your pedalboard and place the TrainTrack assembly where you would like it to be installed, lining up the holes on the TrainTrack with the existing holes on the pedalboard. Make sure to orient the Radial device so the XLR output(s) are easy to access.



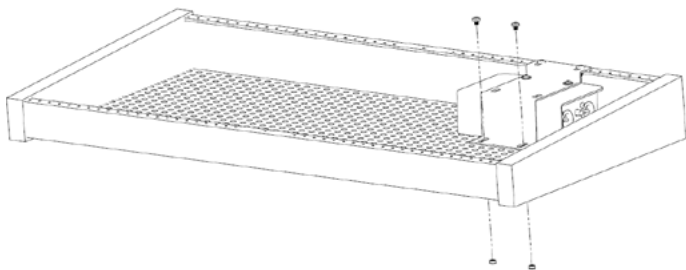
Step 3. Choose the placement for the TrainTrack assembly

4. Use two of the self-tapping screws (C) and a Phillips head screwdriver to affix the top edge of the TrainTrack assembly to your pedalboard.



Step 4. Affix the top edge of the TrainTrack assembly

5. Use two of the machine screws (D), two of the hex nuts (E), and a Phillips head screwdriver to affix the bottom edge of the TrainTrack assembly to the deck of your pedalboard.



Step 5. Affix the bottom edge of the TrainTrack assembly

THREE YEAR TRANSFERABLE LIMITED WARRANTY

RADIAL ENGINEERING LTD. ("Radial") warrants this product to be free from defects in material and workmanship and will remedy any such defects free of charge according to the terms of this warranty. Radial will repair or replace (at its option) any defective component(s) of this product (excluding finish and wear and tear on components under normal use) for a period of three (3) years from the original date of purchase. In the event that a particular product is no longer available, Radial reserves the right to replace the product with a similar product of equal or greater value. In the unlikely event that a defect is uncovered, please call 604-942-1001 or email support@radialeng.com to obtain an RA number (Return Authorization number) before the 3 year warranty period expires. The product must be returned prepaid in the original shipping container (or equivalent) to Radial or to an authorized Radial repair center and you must assume the risk of loss or damage. A copy of the original invoice showing date of purchase and the dealer name must accompany any request for work to be performed under this limited and transferable warranty. This warranty shall not apply if the product has been damaged due to abuse, misuse, misapplication, accident or as a result of service or modification by any other than an authorized Radial repair center.

THERE ARE NO EXPRESSED WARRANTIES OTHER THAN THOSE ON THE FACE HEREOF AND DESCRIBED ABOVE. NO WARRANTIES WHETHER EXPRESSED OR IMPLIED, INCLUDING BUT NOT LIMITED TO, ANY IMPLIED WARRANTIES OF MERCHANTABILITY OR FITNESS FOR A PARTICULAR PURPOSE SHALL EXTEND BEYOND THE RESPECTIVE WARRANTY PERIOD DESCRIBED ABOVE OF THREE YEARS. RADIAL SHALL NOT BE RESPONSIBLE OR LIABLE FOR ANY SPECIAL, INCIDENTAL OR CONSEQUENTIAL DAMAGES OR LOSS ARISING FROM THE USE OF THIS PRODUCT. THIS WARRANTY GIVES YOU SPECIFIC LEGAL RIGHTS, AND YOU MAY ALSO HAVE OTHER RIGHTS, WHICH MAY VARY DEPENDING ON WHERE YOU LIVE AND WHERE THE PRODUCT WAS PURCHASED.

To meet the requirements of California Proposition 65, it is our responsibility to inform you of the following:

WARNING: This product contains chemicals known to the State of California to cause cancer, birth defects or other reproductive harm.

Please take proper care when handling and consult local government regulations before discarding.



www.radialeng.com

Radial Engineering Ltd.

1165-1845 Kingsway Ave, Port Coquitlam, British Columbia, V3C 0H3

Tel: 604-942-1001 • www.radialeng.com • info@radialeng.com

Radial® TrainTrack Installation Guide - 05-2025
Copyright 2025 Radial Engineering Ltd. All rights reserved.
Specifications and appearance subject to change without notice.

