

Aviano Tour 20W CCT

Product code: 31401

Preface

Thank you for purchasing this Showtec product.

The purpose of this user manual is to provide instructions for the correct and safe use of this product.

Keep the user manual for future reference as it is an integral part of the product. The user manual shall be stored at an easily accessible location.

This user manual contains information concerning:

- Safety instructions
- Intended and non-intended use of the device
- Installation and operation of the device
- Maintenance procedures
- Troubleshooting
- Transport, storage and disposal of the device

Non-observance of the instructions in this user manual may result in serious injuries and damage of property.

©2024 Showtec. All rights reserved.

No part of this document may be copied, published or otherwise reproduced without the prior written consent of Highlite International.

Design and product specifications are subject to change without prior notice.

For the latest version of this document or other language versions, please visit our website www.highlite.com or contact us at service@highlite.com.

Highlite International and its authorized service providers are not liable for any injury, damage, direct or indirect loss, consequential or economic loss or any other loss arising from the use of, or inability to use or reliance on the information contained in this document.

Highlite International B.V. – Vestastraat 2 – 6468 EX Kerkrade – the Netherlands

Table of contents

1. Introduction	3
1.1. Before Using the Product.....	3
1.2. Intended Use.....	3
1.3. Product Lifespan.....	3
1.4. LEDs Lifespan.....	3
1.5. Text Conventions.....	3
1.6. Symbols and Signal Words.....	4
1.7. Symbols on the Information Label.....	4
2. Safety	5
2.1. Warnings and Safety Instructions.....	5
2.2. Requirements for the User.....	7
3. Description of the Device	8
3.1. Front View.....	8
3.2. Back View.....	8
3.3. Product Specifications.....	9
3.4. Dimensions.....	10
4. Installation, Setup and Operation	11
4.1. Safety Instructions for Installation.....	11
4.2. Personal Protective Equipment.....	11
4.3. Installation Site Requirements.....	11
4.4. Mounting.....	12
4.4.1. Installation with a Clamp.....	12
4.4.2. Installation on a Wall/Ceiling.....	13
4.5. Connecting to Power Supply.....	15
4.6. Power Linking of Multiple Devices.....	15
5. Troubleshooting	16
6. Maintenance	16
6.1. Safety Instructions for Maintenance.....	16
6.2. Preventive Maintenance.....	16
6.2.1. Basic Cleaning Instructions.....	17
6.3. Corrective Maintenance.....	17
7. Deinstallation, Transportation and Storage	17
7.1. Instructions for Deinstallation.....	17
7.2. Instructions for Transportation.....	17
7.3. Storage.....	17
8. Disposal	18
9. Approval	18

1. Introduction

1.1. Before Using the Product



Important

Read and follow the instructions in this user manual before installing, operating or servicing this product.

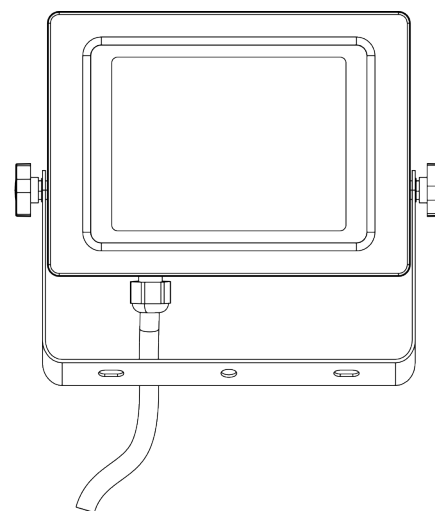
The manufacturer will not accept liability for any resulting damages caused by the non-observance of this manual.

After unpacking, check the contents of the box. If any parts are missing or damaged, contact your Highlite International dealer.

Your shipment includes:

- Showtec Aviano Tour 20W CCT with a fixed Y-type power cable (6 m) with a Schuko plug and a Schuko socket
- User manual

Figure 1



1.2. Intended Use

This device is intended for professional use as a floodlight. It can be installed indoors and outdoors. This device is not suitable for households and for general lighting.

Any other use, not mentioned under intended use, is regarded as non-intended and incorrect use.

1.3. Product Lifespan

This device is not designed for permanent operation.

Disconnect the device from the electrical power supply when the device is not in operation. This will reduce the wear and will improve the lifespan of the device.

1.4. LEDs Lifespan

The light output of the LEDs gradually decreases over time (lumen depreciation). High operating temperatures contribute to this process. You can extend the lifespan of the LEDs by providing adequate ventilation and operating the LEDs at the lowest possible brightness.

1.5. Text Conventions

Throughout the user manual the following text conventions are used:

- References: References to parts of the device are in bold lettering, for example: "turn the **adjustment handle (05)**". References to chapters are hyperlinked
- 0–255: Defines a range of values
- Notes: **Note:** (in bold lettering) is followed by useful information or tips

1.6. Symbols and Signal Words

Safety notes and warnings are indicated throughout the user manual by safety signs.

Always follow the instructions provided in this user manual.



DANGER

Indicates an imminently hazardous situation which, if not avoided, will result in death or serious injury.



WARNING

Indicates a potentially hazardous situation which, if not avoided, could result in death or serious injury.



CAUTION

Indicates a potentially hazardous situation, which, if not avoided, may result in minor or moderate injury.



Attention

Indicates important information for the correct operation and use of the product.



Important

Read and observe the instructions in this document.



Electrical hazard



Provides important information about the disposal of this product.

1.7. Symbols on the Information Label

This product is provided with an information label. The information label is located on the back side of the device.

The information label contains the following symbols:



This device shall not be treated as household waste.



This device falls under IEC protection class I.

2. Safety



Important
Read and follow the instructions in this user manual before installing, operating or servicing this product.

The manufacturer will not accept liability for any resulting damages caused by the non-observance of this manual.

2.1. Warnings and Safety Instructions



DANGER
Danger for children

For adult use only. The device must be installed beyond the reach of children.

- Do not leave any parts of the packaging (plastic bags, polystyrene foam, nails, etc.) within the reach of children. Packaging material is a potential source of danger for children.



DANGER
Electric shock caused by dangerous voltage inside

There are areas inside the device where dangerous touch voltage may be present.

- Do not open the device or remove any covers.
- Do not operate the device if the covers or the housing are open. Before operation, check if the housing is firmly closed and all screws are tightly fastened.
- Disconnect the device from the electrical power supply before service and maintenance, and when the device is not in use.



DANGER
Electric shock caused by short-circuit

This device falls under IEC protection Class I.

- Make sure that the device is electrically connected to ground (earth). Connect the device only to a socket-outlet with a ground (earth) connection.
- Do not cover the ground (earth) connection.
- Do not let the power cable come into contact with other cables. Handle the power cable and all connections with the mains with caution.
- Do not modify, bend, mechanically strain, put pressure on, pull or heat up the power cable.
- Make sure that the power cable is not crimped or damaged. Examine the power cable periodically for any defects.
- Do not immerse the device in water or other liquids. Do not install the device in a location where flooding may occur.
- Do not use the device during thunderstorms. Disconnect the device from the electrical power supply immediately.
- Keep the connector sealed with the rubber cap when the connector is not in use.

**Attention
Power supply**

- Before connecting the device to the power supply, make sure that the current, voltage and frequency match the input voltage, current and frequency specified on the information label on the device.
- Make sure that the cross-sectional area of the extension cords and power cables is sufficient for the required power consumption of the device.

**Attention
General safety**

- Do not shake the device. Avoid brute force when installing or operating the device.
- If the device is dropped or struck, disconnect the device from the electrical power supply immediately.
- If the device is exposed to extreme temperature variations (e.g. after transportation), do not switch it on immediately. Let the device reach room temperature before switching it on, otherwise it may be damaged by the formed condensation.
- If the device fails to work properly, discontinue use immediately.

**Attention
For professional use only
This device must be used only for the purposes it is designed for.**

This device is intended for professional use as a floodlight. Any incorrect use may lead to hazardous situations and result in injuries and material damage.

- This device is not suitable for households and for general lighting.
- This device is not designed for permanent operation.
- This device does not contain user-serviceable parts. Unauthorized modifications to the device will render the warranty void. Such modifications may result in injuries and material damage.

**Attention
Before each use, examine the device visually for any defects.**

Make sure that:

- All screws used for installing the device or parts of the device are tightly fastened and are not corroded.
- The safety devices are not damaged.
- There are no deformations on housings, fixings and installation points.
- The lens is not cracked or damaged.
- The power cables are not damaged and do not show any material fatigue.

**Attention
Do not expose the device to conditions that exceed the rated IP class conditions.**

This device is IP65 rated. IP (Ingress Protection) 65 class means that the device is dust-tight and protected against harmful effect of water jets.

The cable plug is IP44 rated. IP (Ingress Protection) 44 class means that the device is protected against solid objects greater than 1,0 mm. Water splashed against the enclosure from any direction shall have no harmful effect.

Keep the connector sealed with the rubber cap when the connector is not in use.

2.2. Requirements for the User

This product may be used by ordinary persons. Maintenance may be carried out by ordinary persons. Installation and service shall be carried out only by instructed or skilled persons. Contact your Highlite International dealer for more information.

Instructed persons have been instructed and trained by a skilled person, or are supervised by a skilled person, for specific tasks and work activities associated with the installation, service and maintenance of this product, so that they can identify risks and take precautions to avoid them.

Skilled persons have training or experience, which enables them to recognize risks and avoid hazards associated with the installation, service and maintenance of this product.

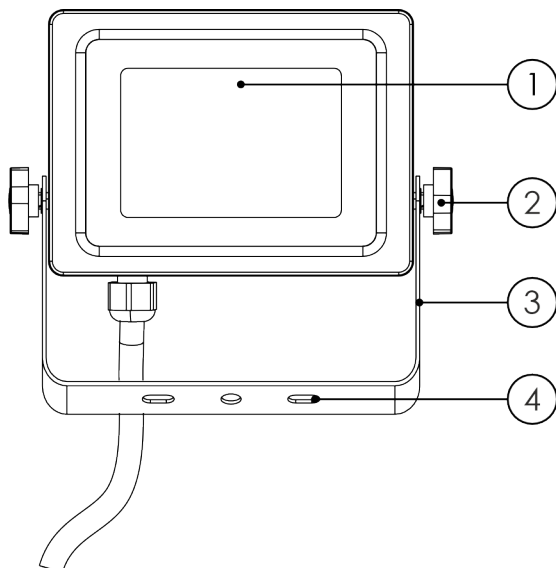
Ordinary persons are all persons other than instructed persons and skilled persons. Ordinary persons include not only users of the product but also any other persons that may have access to the device or who may be in the vicinity of the device.

3. Description of the Device

The Showtec Aviano Tour 20W CCT is a 20 W LED floodlight with a 110° beam angle and a color temperature switch. The device can be installed with a clamp or can be mounted on a wooden or concrete wall/ceiling.

3.1. Front View

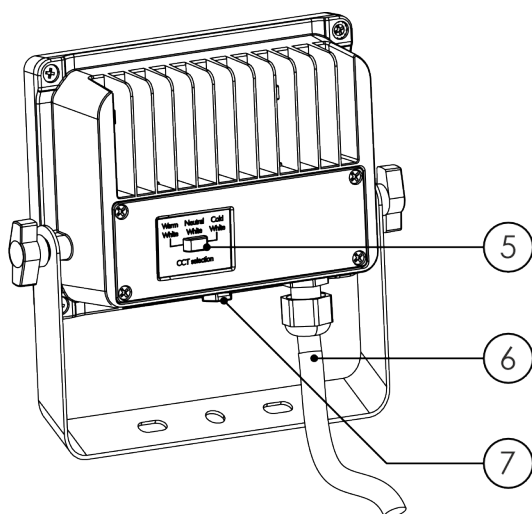
Figure 2



- 01) 96 LEDs x 0,4 W (WW/NW/CW)
- 02) 2 x adjustment screws
- 03) Mounting bracket
- 04) 3 x mounting holes

3.2. Back View

Figure 3



- 05) Color temperature switch (WW/NW/CW)
- 06) Fixed Y-type power cable with a Schuko plug and a Schuko socket
- 07) Protective vent

3.3. Product Specifications

Model:	Aviano Tour 20W CCT
--------	---------------------

Source:	
Light source type	LED
Light source quantity	48
Light source power	0,4 W
LED color type	WW / CW / NW
Luminous flux (total)	1800 lm
CRI	80
Minimum CCT	3000 K
Maximum CCT	6000 K

Optical:	
Beam angle (circular)	110°

Electrical Specifications and Connections:	
Power supply	220–240 V AC 50/60 Hz
Power consumption	20 W
Power connector IN	Schuko plug
Power connector OUT	Schuko socket, Type F
Cable length	6 m
Maximum wire size	1,5 mm ²

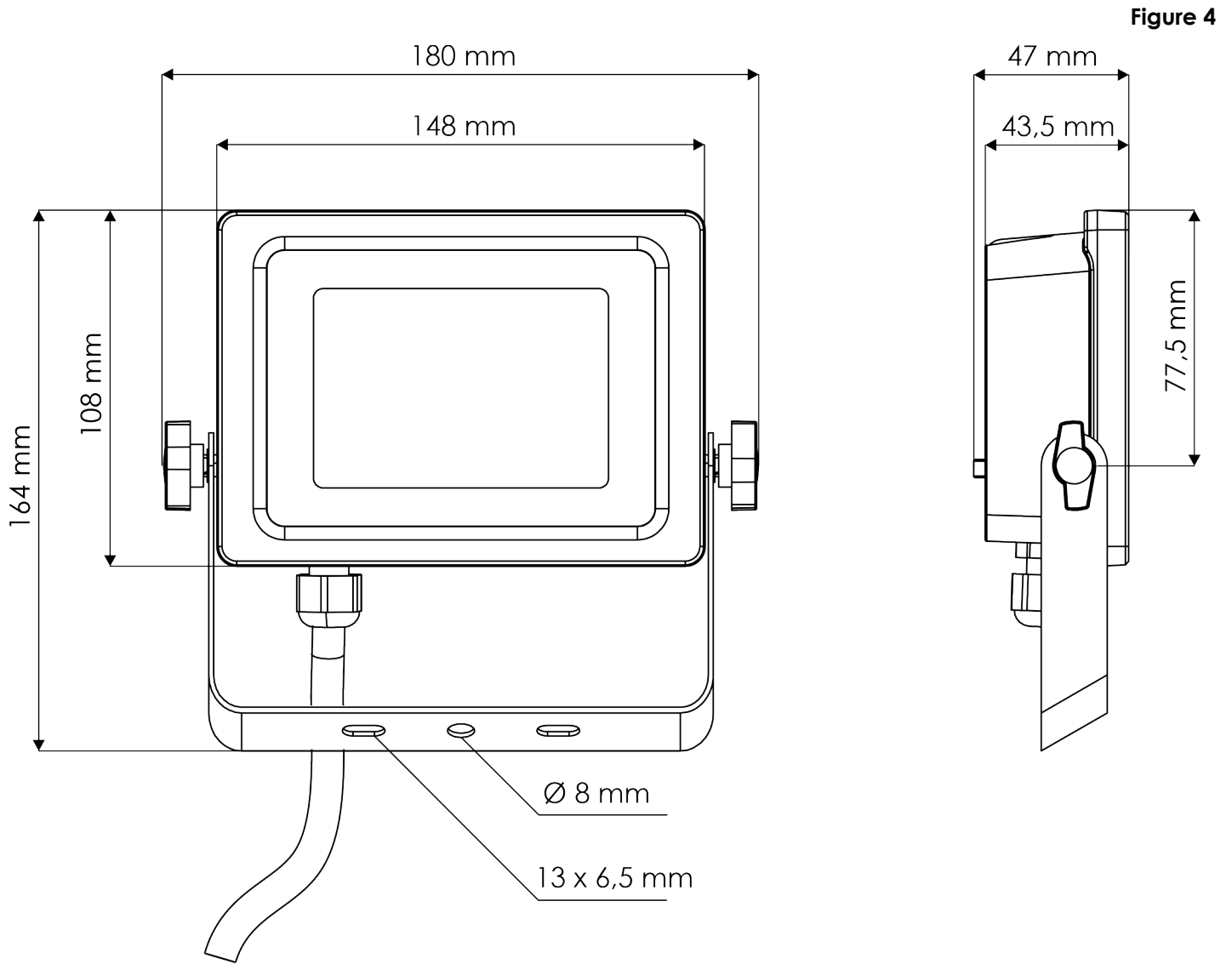
Mechanical Specifications:	
Length	180 mm
Width	47 mm
Height	164 mm
Weight	1,8 kg
IP rating	IP65 (luminaire); IP44 (plug)
Housing	Aluminum die-cast
Color	Black

Product Properties:	
Cooling	Convection
Floodlight type	Symmetric

Rigging:	
Mounting options	Bracket

Thermal Specifications:	
Maximum ambient temperature	45 °C
Minimum operating temperature	-10 °C

3.4. Dimensions



4. Installation, Setup and Operation

4.1. Safety Instructions for Installation

**WARNING**

Incorrect installation can cause serious injuries and damage of property.

If trussing systems are used, installation must be carried out only by instructed or skilled persons.

Follow all applicable European, national and local safety regulations concerning rigging and trussing.

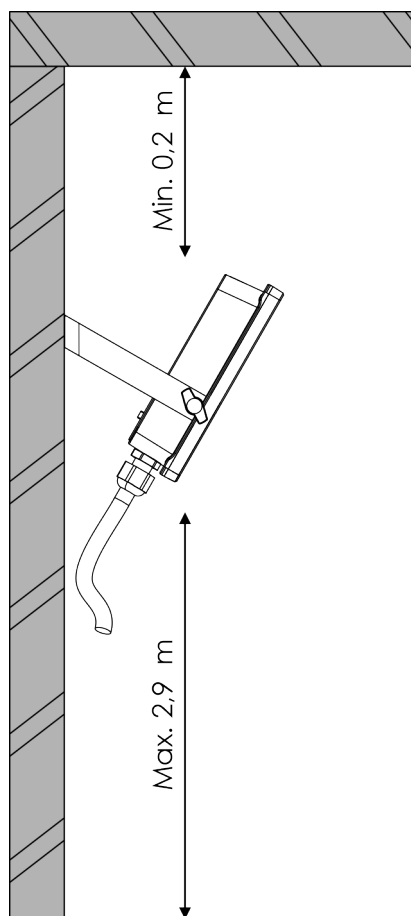
4.2. Personal Protective Equipment

During installation, deinstallation and rigging wear personal protective equipment in compliance with the national and site-specific regulations.

4.3. Installation Site Requirements

- The device can be used indoors and outdoors.
- The device must be installed away from heating sources and direct sunlight.
- The ambient temperature must be in the range -10 and 45 °C.
- The minimum distance to other objects must be bigger than 0,2 m.
- The maximum installation height shall not exceed 2,9 m.

Figure 5



4.4. Mounting

The device can be mounted with a clamp to a truss or other rigging structure in any orientation or with mounting screws to a wall or to a ceiling. Make sure that all loads are within the pre-determined limits of the supporting structure.



CAUTION

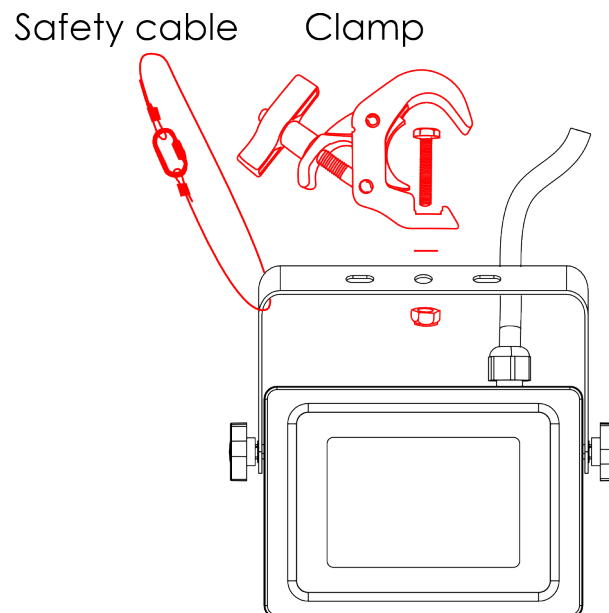
Restrict the access under the work area during installation/deinstallation.

4.4.1. Installation with a Clamp

To mount the device, follow the steps below:

- 01) Use a clamp to attach the device to the supporting structure.
- 02) Secure the device with a secondary suspension, for example a safety cable. Make sure that the secondary suspension can hold 10 times the weight of the device. Put the safety cable around the **mounting bracket (03)**.
- 03) Adjust the angle of the device with the 2 **adjustment screws (02)**. Make sure that the device cannot move freely after the **adjustment screws (02)** are tightened.

Figure 6



4.4.2. Installation on a Wall/Ceiling

To install the device on a wall or a ceiling, you need the following:

- a drill
- a drill bit (for wood or concrete), 6–7 mm long
- 2 anchors (if applicable)
- 2 screws

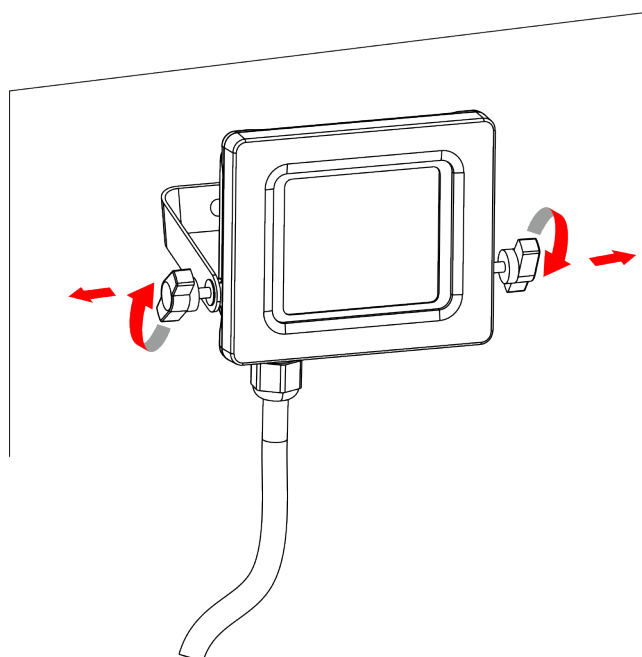
Notes:

- Make sure that the location where you will drill the mounting holes is free of any obstructions such as pipe work, ducting or wiring.
- Do not drill into mortar joints. Screws installed in mortar joints cannot safely support the weight of the device.

To mount the device follow the steps below:

- 01) Turn the 2 **adjustment screws (02)** counterclockwise to loosen them.
- 02) Remove the 2 **adjustment screws (02)**. The **mounting bracket (03)** will come off.

Figure 7



- 03) Hold the **mounting bracket (03)** against the wall/ceiling and mark the mounting locations.
- 04) Drill holes at the marked locations.
- 05) Insert anchors into the drilled holes, if applicable.

Figure 8

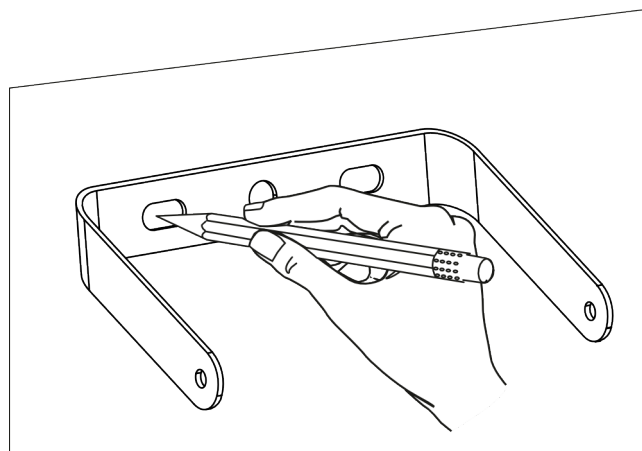


Figure 9

- 06) Hold the **mounting bracket (03)** at the mounting location.
- 07) Insert and tighten the screws into the drilled holes to fasten the **mounting bracket (03)** to the wall.

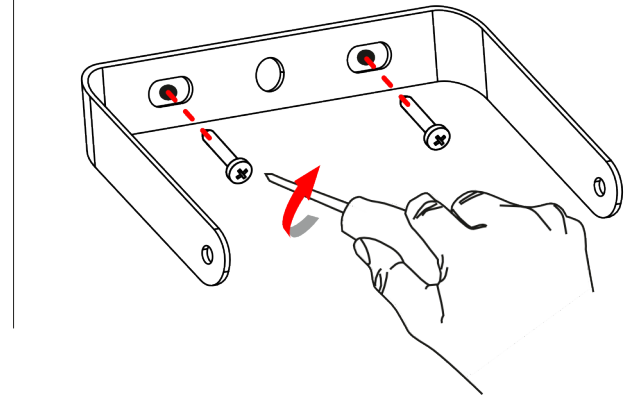


Figure 10

- 08) Use the **color temperature switch (05)** to select one of the 3 options:
 - Warm White (WW)
 - Neutral White (NW)
 - Cold White (CW)

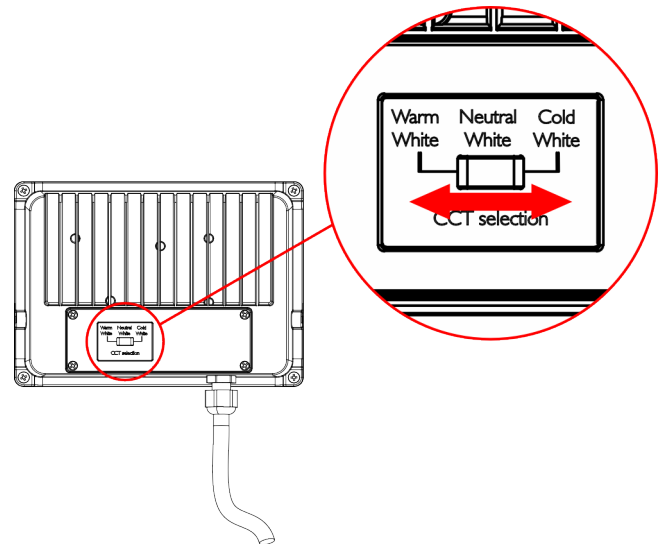
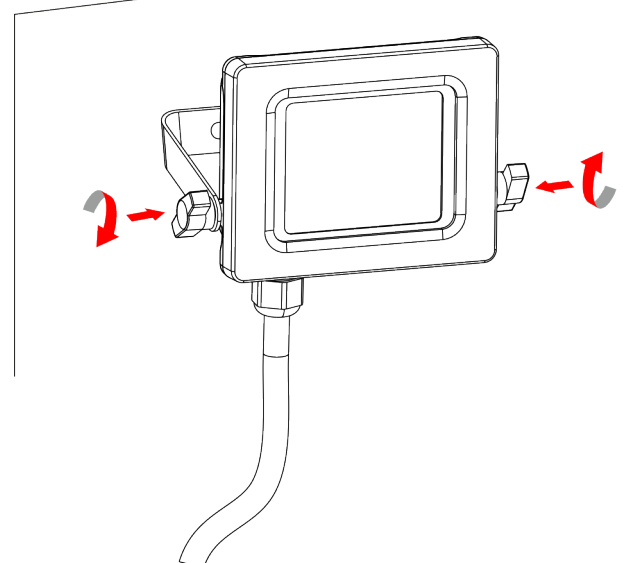


Figure 11

- 09) Insert the 2 **adjustment screws (02)** through the **mounting bracket (03)** on both sides of the device.
- 10) Turn the 2 **adjustment screws (02)** clockwise to tighten them slightly.
- 11) Adjust the angle of the device as necessary.
- 12) Turn the 2 **adjustment screws (02)** clockwise to tighten them completely. Do not overtighten them. Make sure that the device cannot move freely after the **adjustment screws (02)** are tightened.



4.5. Connecting to Power Supply



DANGER
Electric shock caused by short-circuit

The device accepts AC mains power at 220–240 V and 50/60 Hz. Do not supply power at any other voltage or frequency to the device.

This device falls under IEC protection class I. Make sure that the device is always electrically connected to the ground (earth).

Before connecting the device to the socket-outlet:

- Make sure that the power supply matches the input voltage specified on the information label on the device.
- Make sure that the socket-outlet has a ground (earth) connection.

Connect the device to the socket-outlet with the power plug. Do not connect the device to a dimmer circuit, as this may damage the device.

When the device is connected to power supply, the device is turned on.

The plug is used as a disconnect device. Disconnect the plug from the socket-outlet to disconnect the device from power supply.

This device is IP65 rated. The fixed Y-type cable has a socket with a rubber cap and a plug that is IP44 rated.

- Keep the connector sealed with the rubber cap when the connector is not in use.
- Do not expose the device to conditions that exceed the rated IP class conditions.

4.6. Power Linking of Multiple Devices



WARNING
Incorrect power linking may lead to overload of the electrical circuit and result in serious injuries and damage of property.

The device is fitted with a fixed Y-type power cable with a Schuko plug and a Schuko socket. This enables power linking of multiple devices.

Power linking of multiple devices must be carried out by instructed or skilled persons.

To prevent overload of the electrical circuit, when power linking multiple devices:

- Make sure that the total current draw of the device and all connected devices does not exceed the rated capacity of the power cables and the circuit breaker.
- Do not link more devices on one power link than the maximum recommended number.

Maximum recommended number of device on one power link: 20 devices Aviano Tour 20W CCT

5. Troubleshooting

This troubleshooting guide contains solutions to problems which can be carried out by an ordinary person. The device does not contain user-serviceable parts.

Unauthorized modifications to the device will render the warranty void. Such modifications may result in injuries and material damage.

Refer servicing to instructed or skilled persons. Contact your Highlite International dealer in case the solution is not described in the table.

Problem	Probable cause(s)	Solution
The device does not function at all	No power to the device	<ul style="list-style-type: none"> Make sure that the device is connected to power supply
	Internal fuse is blown	<ul style="list-style-type: none"> Disconnect the device and contact your Highlite International dealer
No light or LEDs cut out intermittently	LEDs are damaged	<ul style="list-style-type: none"> Disconnect the device and contact your Highlite International dealer
	The input power parameters of the device do not match the local AC voltage and frequency	<ul style="list-style-type: none"> Disconnect the device. Make sure that the local current, voltage and frequency match the input voltage, current and frequency specified on the information label on the device

6. Maintenance

6.1. Safety Instructions for Maintenance



DANGER
Electric shock caused by dangerous voltage inside

Disconnect power supply before servicing or cleaning.

6.2. Preventive Maintenance



Attention
Before each use, examine the device visually for any defects.

Make sure that:

- All screws used for installing the device or parts of the device are tightly fastened and are not corroded.
- The safety devices are not damaged.
- There are no deformations on housings, fixings and installation points.
- The lens is not cracked or damaged.
- The power cables are not damaged and do not show any material fatigue.

6.2.1. Basic Cleaning Instructions

To clean the device, follow the steps below:

- 01) Disconnect the device from the electrical power supply.
- 02) Allow the device to cool down for at least 5 minutes.
- 03) Remove the dust collected on the external surface with dry compressed air and a soft brush.
- 04) Clean the lens with damp cloth.
- 05) Dry the lens carefully with a lint-free cloth.



Attention

- Do not immerse the device in liquid.
- Do not use alcohol or solvents.

6.3. Corrective Maintenance

The device does not contain user-serviceable parts. Do not open the device and do not modify the device.

Refer repairs and servicing to instructed or skilled persons. Contact your Highlite International dealer for more information.

7. Deinstallation, Transportation and Storage

7.1. Instructions for Deinstallation



WARNING

Incorrect deinstallation can cause serious injuries and damage of property.

- Let the device cool down before dismounting.
- Disconnect power supply before deinstallation.
- Always observe the national and site-specific regulations during deinstallation and derigging of the device.
- Wear personal protective equipment in compliance with the national and site-specific regulations.

7.2. Instructions for Transportation

- Use the original packaging to transport the device, if possible.
- Always observe the handling instructions printed on the outer carton box, for example: "Handle with care", "This side up", "Fragile".

7.3. Storage

- Clean the device before storing (see [6.2.1. Basic Cleaning Instructions](#) on page 17).
- Store the device in the original packaging, if possible.

8. Disposal

Correct disposal of this product



Waste Electrical and Electronic Equipment

This symbol on the product, its packaging or documents indicates that the product shall not be treated as household waste. Dispose of this product by handing it to the respective collection point for recycling of electrical and electronic equipment. This is to avoid environmental damage or personal injury due to uncontrolled waste disposal. For more detailed information about recycling of this product contact the local authorities or the authorized dealer.

9. Approval



Check the respective product page on the website of Highlite International (www.highlite.com) for an available declaration of conformity.

