

Single Strip for Octostrip FLEX – 1M

Product code: 42237

Preface

Thank you for purchasing this Showtec product.

The purpose of this user manual is to provide instructions for the correct and safe use of this product.

Keep the user manual for future reference as it is an integral part of the product. The user manual shall be stored at an easily accessible location.

This user manual contains information concerning:

- Safety instructions
- Intended and non-intended use of the device
- Installation and operation of the device
- Maintenance procedures
- Troubleshooting
- Transport, storage and disposal of the device

Non-observance of the instructions in this user manual may result in serious injuries and damage of property.

©2025 Showtec. All rights reserved.

No part of this document may be copied, published or otherwise reproduced without the prior written consent of Highlite International.

Design and product specifications are subject to change without prior notice.

For the latest version of this document or other language versions, please visit our website www.highlite.com or contact us at service@highlite.com.

Highlite International and its authorized service providers are not liable for any injury, damage, direct or indirect loss, consequential or economic loss or any other loss arising from the use of, or inability to use or reliance on the information contained in this document.

Highlite International B.V. – Vestastraat 2 – 6468 EX Kerkrade – the Netherlands

Table of contents

1. Introduction	3
1.1. Before Using the Product.....	3
1.2. Intended Use.....	3
1.3. LEDs Lifespan.....	3
1.4. Product Lifespan.....	3
1.5. Text Conventions.....	3
1.6. Symbols and Signal Words.....	4
1.7. Symbols on the Information Label.....	4
2. Safety	5
2.1. Warnings and Safety Instructions.....	5
2.2. Requirements for the User.....	7
2.3. Personal Protective Equipment.....	7
3. Description of the Device	8
3.1. Overview.....	8
3.2. Dimensions.....	8
3.3. Compatibility.....	8
3.4. Product Specifications.....	9
3.5. Optional Accessories.....	9
4. Installation	10
4.1. Safety Instructions for Installation.....	10
4.2. Personal Protective Equipment.....	10
4.3. Installation Site Requirements.....	10
4.4. Rigging.....	11
4.4.1. Installation of the Mounting Bracket.....	11
4.4.2. Installation with a Clamp.....	12
4.4.3. Installation on a Flat Surface.....	12
4.5. Diffuser Installation.....	13
5. Setup and Operation	14
5.1. Warnings and Precautions.....	14
5.2. Connecting the LED Strip to the Controller.....	14
5.3. Connecting to Power Supply.....	14
5.4. Operation.....	14
6. Troubleshooting	15
7. Maintenance	16
7.1. Safety Instructions for Maintenance.....	16
7.2. Preventive Maintenance.....	16
7.2.1. Basic Cleaning Instructions.....	16
7.3. Corrective Maintenance.....	16
8. Deinstallation, Transportation and Storage	17
8.1. Instructions for Deinstallation.....	17
8.2. Instructions for Transportation.....	17
8.3. Storage.....	17
9. Disposal	17
10. Approval	17

1. Introduction

1.1. Before Using the Product



Important

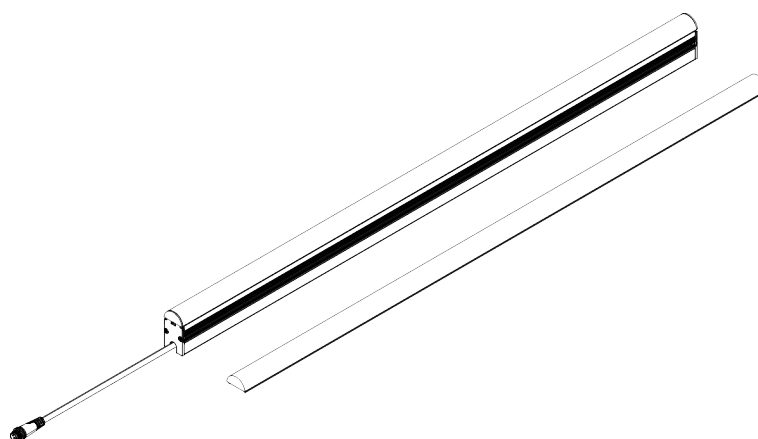
Read and follow the instructions in this user manual before installing, operating or servicing this product.

The manufacturer will not accept liability for any resulting damages caused by the non-observance of this manual.

After unpacking, check the contents of the box. If any parts are missing or damaged, contact your Highlite International dealer.

Your shipment includes:

- Showtec Single Strip for Octostrip FLEX – 1M with a fixed cable (0,3 m) and a white diffuser (installed)
- Black diffuser
- User manual



1.2. Intended Use

This device is intended for professional use as a LED strip. It can be installed indoors and outdoors. This device is not suitable for households and for general lighting.

Any other use, not mentioned under intended use, is regarded as non-intended and incorrect use.

1.3. LEDs Lifespan

The light output of the LEDs gradually decreases over time (lumen depreciation). High operating temperatures contribute to this process. You can extend the lifespan of the LEDs by providing adequate ventilation and operating the LEDs at the lowest possible brightness.

1.4. Product Lifespan

This device is not designed for permanent operation.

Disconnect the device from the electrical power supply when the device is not in operation. This will reduce the wear and will improve the lifespan of the device.

1.5. Text Conventions

Throughout the user manual the following text conventions are used:

- Buttons: All buttons are in bold lettering, for example "Press the **UP/DOWN** buttons"
- References: References to parts of the device are in bold lettering, for example: "turn the **adjustment handle (05)**". References to chapters are hyperlinked
- 0–255: Defines a range of values
- Notes: **Note:** (in bold lettering) is followed by useful information or tips

1.6. Symbols and Signal Words

Safety notes and warnings are indicated throughout the user manual by safety signs.

Always follow the instructions provided in this user manual.



DANGER

Indicates an imminently hazardous situation which, if not avoided, will result in death or serious injury.



WARNING

Indicates a potentially hazardous situation which, if not avoided, could result in death or serious injury.



CAUTION

Indicates a potentially hazardous situation, which, if not avoided, may result in minor or moderate injury.



Attention

Indicates important information for the correct operation and use of the product.



Important

Read and observe the instructions in this document.



Electrical hazard



Thermal hazard



Provides important information about the disposal of this product.

1.7. Symbols on the Information Label

This product is provided with an information label. The information label is located on the side of the device.

The information label contains the following symbols:



This device shall not be treated as household waste.



Read and follow the instructions in the user manual before installing, operating or servicing the device.



This device falls under IEC protection class I.

IP65

This devices is rated IP65.



The surface and the inner parts of the device can become very hot during operation. Do not touch the pods during operation.

2. Safety



Important
Read and follow the instructions in this user manual before installing, operating or servicing this product.

The manufacturer will not accept liability for any resulting damages caused by the non-observance of this manual.

2.1. Warnings and Safety Instructions



DANGER
Danger for children

For adult use only. The device must be installed beyond the reach of children.

- Do not leave any parts of the packaging (plastic bags, polystyrene foam, nails, etc.) within the reach of children. Packaging material is a potential source of danger for children.



DANGER
Electric shock caused by dangerous voltage inside

There are areas inside the device where dangerous touch voltage may be present.

- Do not open the device or remove any covers.
- Do not operate the device if the covers or the housing are open. Before operation, check if the housing is firmly closed and all screws are tightly fastened.
- Disconnect the device from the electrical power supply before service and maintenance, and when the device is not in use.



DANGER
Electric shock caused by short-circuit

This device falls under IEC protection Class I.

- Make sure that the device is electrically connected to ground (earth). Connect the device only to a socket-outlet with a ground (earth) connection.
- Do not cover the ground (earth) connection.
- Do not bypass the thermostatic switch or fuses.
- Do not let the power cable come into contact with other cables. Handle the power cable and all connections with the mains with caution.
- Do not modify, bend, mechanically strain, put pressure on, pull or heat up the power cable.
- Make sure that the power cable is not crimped or damaged. Examine the power cable periodically for any defects.
- Do not immerse the device in water or other liquids. Do not install the device in a location where flooding may occur.
- Do not use the device during thunderstorms. Disconnect the device from the electrical power supply immediately.
- Keep the connectors sealed with the rubber caps when the connectors are not in use.
- Do not connect the cables from above the connectors, if the device is installed outdoors. Make a 'drip loop' in the cable so that rain water cannot enter the device.



WARNING
Risk of epileptic shock

Strobe lighting can trigger seizures in photosensitive epilepsy. Sensitive persons should avoid looking at strobe lights.



WARNING
Risk of burns due to hot surface

The surface and the inner parts of the device can become very hot during operation.

- Do not touch the device during operation.
- Allow the device to cool down for at least 15 minutes before handling.



Attention
Power supply

- Before connecting the device to the power supply, make sure that the current, voltage and frequency match the input voltage, current and frequency specified on the information label on the device.
- Make sure that the cross-sectional area of the extension cords and power cables is sufficient for the required power consumption of the device.



Attention
General safety

- Do not shake the device. Avoid brute force when installing or operating the device.
- If the device is dropped or struck, disconnect the device from the electrical power supply immediately.
- If the device is exposed to extreme temperature variations (e.g. after transportation), do not switch it on immediately. Let the device reach room temperature before switching it on, otherwise it may be damaged by the formed condensation.
- If the device fails to work properly, discontinue use immediately.



Attention
Before each use, examine the device visually for any defects.

Make sure that:

- All screws used for installing the device or parts of the device are tightly fastened and are not corroded.
- The safety devices are not damaged.
- There are no deformations on housings, fixings and installation points.
- The power cables are not damaged and do not show any material fatigue.



Attention
For professional use only
This device must be used only for the purposes it is designed for.

This device is intended for professional use as a LED strip. Any incorrect use may lead to hazardous situations and result in injuries and material damage.

- This device is not suitable for households and for general lighting.
- This device is not designed for permanent operation.

- This device does not contain user-serviceable parts. Unauthorized modifications to the device will render the warranty void. Such modifications may result in injuries and material damage.

**Attention****Do not expose the device to conditions that exceed the rated IP class conditions.**

This device is IP65 rated. IP (Ingress Protection) 65 class means that the device is dust-tight and protected against harmful effect of water jets.

2.2. Requirements for the User

This product may be used by ordinary persons. Maintenance may be carried out by ordinary persons. Installation and service shall be carried out only by instructed or skilled persons. Contact your Highlite International dealer for more information.

Instructed persons have been instructed and trained by a skilled person, or are supervised by a skilled person, for specific tasks and work activities associated with the installation, service and maintenance of this product, so that they can identify risks and take precautions to avoid them.

Skilled persons have training or experience, which enables them to recognize risks and avoid hazards associated with the installation, service and maintenance of this product.

Ordinary persons are all persons other than instructed persons and skilled persons. Ordinary persons include not only users of the product but also any other persons that may have access to the device or who may be in the vicinity of the device.

2.3. Personal Protective Equipment

During installation, deinstallation and rigging wear personal protective equipment in compliance with the national and site-specific regulations.

3. Description of the Device

The Showtec Single Strip for Octostrip FLEX – 1M is an IP65-rated RGBW strip with 8 controllable sections and a maximum power of 27 W. It has a robust aluminium housing that also helps with convection cooling of the LEDs. The device is delivered with black and white covers that also work as diffusers. Available accessories include cables in various lengths.

The Showtec Single Strip for Octostrip FLEX – 1M is not a standalone LED strip (see [3.3. Compatibility](#)). It can be controlled only by the Showtec Controller for Octostrip FLEX ([42240](#)).

3.1. Overview



Figure 2

- 01) LED strip housing
- 02) Sliding profile
- 03) Mounting opening
- 04) Diffuser
- 05) Fixed cable (0,3 m) with connector IN (data and power)

3.2. Dimensions

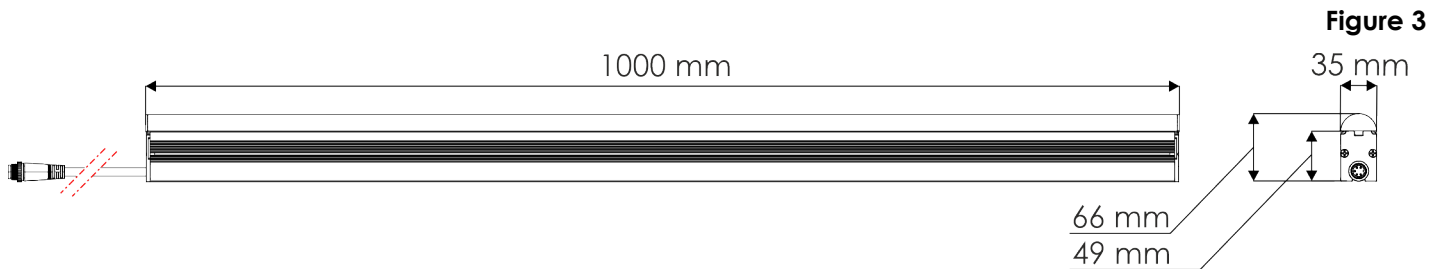


Figure 3

3.3. Compatibility



Attention
Product compatibility

The Showtec Single Strip for Octostrip FLEX – 1M is designed to be operated only with the Showtec Controller for Octostrip FLEX. The Controller for Octostrip FLEX is not supplied with the Single Strip for Octostrip FLEX – 1M.

You need to purchase the Controller for Octostrip FLEX separately. Contact your Highlite International dealer for more information.

Product code: [42240](#) (Controller for Octostrip FLEX)

3.4. Product Specifications

Model:	Single Strip for Octostrip FLEX – 1M
Source:	
Light source type	LED
Light source power	27 W
LED color type	RGBW
Dynamic Effects:	
Dimmer	0–100 %
Strobe	0–20 Hz
Electrical Specifications and Connections:	
Power supply	100–240 V AC 50/60 Hz
Power consumption	28 W
Power connector IN	Dedicated connector
Mechanical Specifications:	
Height	66 mm
Width	35 mm
Length	1000 mm
Weight	1,6 kg
IP Rating	IP65
Housing	Aluminum
Color	Black
Product Properties:	
Cooling	Convection
Rigging:	
Mounting options	Sliding Profile
Thermal Specifications:	
Maximum ambient temperature	40 °C
Minimum ambient temperature	-5 °C

3.5. Optional Accessories

You can additionally purchase the following accessories:

- [30788](#) FLEX Cable – 2,5 m
- [30794](#) FLEX Cable – 5 m
- [30789](#) FLEX Cable – 10 m
- [42234](#) Mounting bracket for Octostrip
- [42238](#) White Cover for Octostrip FLEX – 1M
- [42239](#) Black Cover for Octostrip FLEX – 1M

Contact your Highlite International dealer for more information.

4. Installation

4.1. Safety Instructions for Installation

**WARNING**

Incorrect installation can cause serious injuries and damage of property.

If trussing systems are used, installation must be carried out only by instructed or skilled persons.

Follow all applicable European, national and local safety regulations concerning rigging and trussing.

4.2. Personal Protective Equipment

During installation, deinstallation and rigging wear personal protective equipment in compliance with the national and site-specific regulations.

4.3. Installation Site Requirements

- The device can be used indoors and outdoors.
- The device must be installed away from heating sources and direct sunlight.
- The ambient temperature must be in the range -5 and 40 °C.

4.4. Rigging



CAUTION

Restrict the access under the work area during rigging/derigging.

You can position the LED strip on a flat surface or mount it to a rigging structure or to a flat surface in any orientation.

You need a mounting bracket to mount the LED strip. The LED strip is delivered without a mounting bracket. You can purchase a mounting bracket separately (see [3.5. Optional Accessories](#) on page 9). Contact your Highlite International dealer for more information.

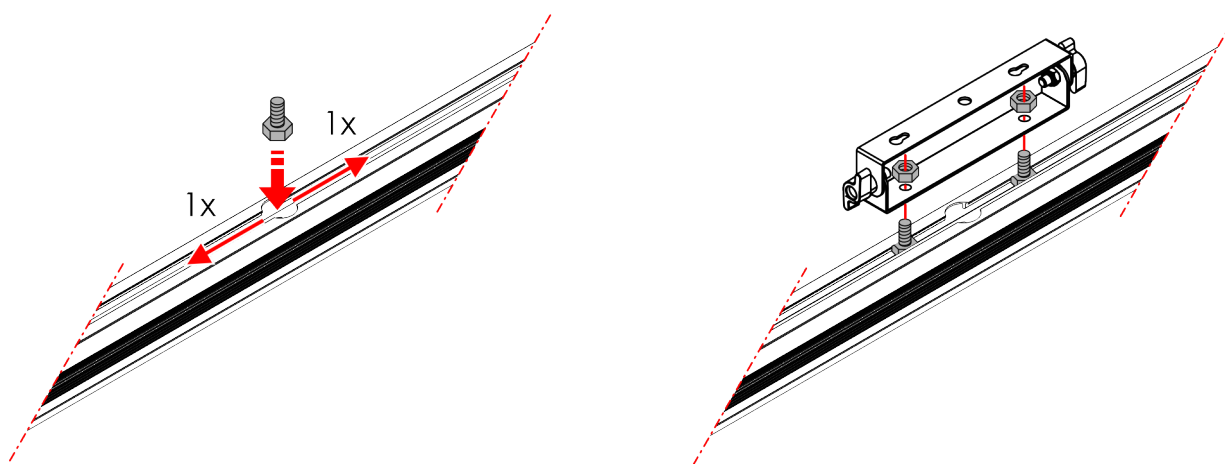
Make sure that all loads are within the pre-determined limits of the supporting structure.

4.4.1. Installation of the Mounting Bracket

To install the mounting bracket (product code: [42234](#)):

- 01) Insert the 2 screws delivered with the mounting bracket through the **mounting opening (03)**.
- 02) Slide the screws in the **sliding profile (02)** at the same distance as the openings on the mounting bracket.
- 03) Position the mounting bracket on top of the LED strip, so that the screws fit into the openings on the mounting bracket.
- 04) Tighten the 2 hex nuts delivered with the mounting bracket on the screws. Make sure that the screws cannot slide freely along the **sliding profile (02)**.

Figure 4



Note:

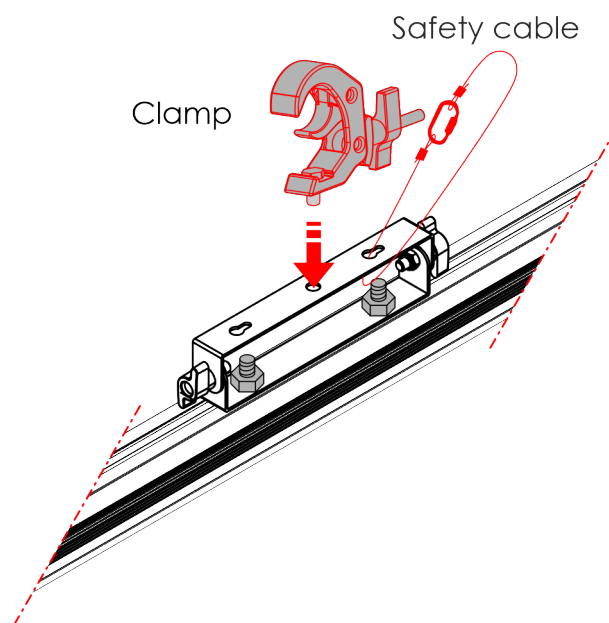
You can position the mounting bracket at any place along the **sliding profile (02)**.

4.4.2. Installation with a Clamp

To mount the LED strip to a rigging structure:

- 01) Fasten the mounting bracket to the LED strip (see [4.4.1. Installation of the Mounting Bracket](#) on page 11).
- 02) Attach a clamp to the mounting hole on the mounting bracket. Make sure that you use a clamp suitable for attaching the LED strip to a truss.
- 03) Secure the LED strip with a secondary suspension, for example a safety cable. Make sure that the secondary suspension can hold 10 times the weight of the LED strip. If possible, the secondary suspension should be attached to a supporting structure independent of the primary suspension. Put the safety cable through the safety eye on the mounting bracket.

Figure 5



4.4.3. Installation on a Flat Surface

You can mount the LED strip on a flat surface in 2 ways:

You need the following:

- a drill
- a drill bit (for wood or concrete), 6–7 mm long
- 2 anchors (if applicable)
- 2 screws
- mounting bracket (product code: [42234](#))

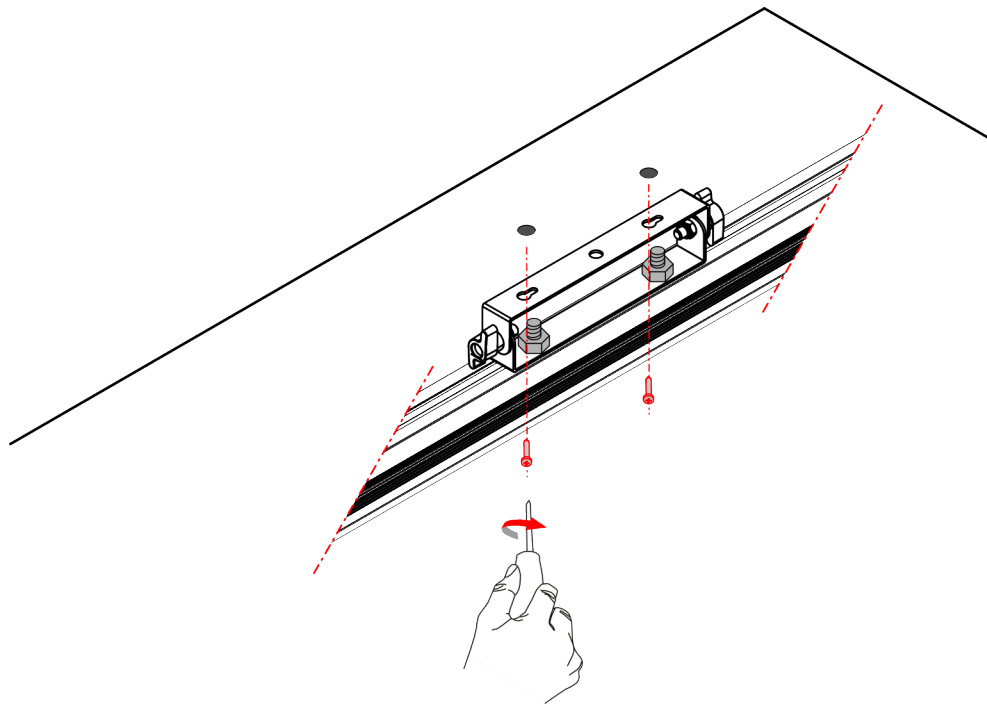
Notes:

- Make sure that the drilling location for the mounting holes is free of obstructions such as pipes, ducts, or wires.
- Do not drill into mortar joints. Screws installed in mortar joints cannot safely support the weight of the device.

To mount the LED strip on a flat surface follow the steps below:

- 01) Hold the mounting bracket against the flat surface and mark the position of the 2 mounting holes on the flat surface.
- 02) Drill holes at the 2 marked locations.
- 03) Insert anchors into the drilled holes, if applicable.
- 04) Fasten the mounting bracket to the LED strip (see [4.4.1. Installation of the Mounting Bracket](#) on page 11).
- 05) Hold the mounting bracket at the mounting location.
- 06) Insert and tighten the screws into the drilled holes to fasten the mounting bracket and the LED strip to the flat surface.

Figure 6



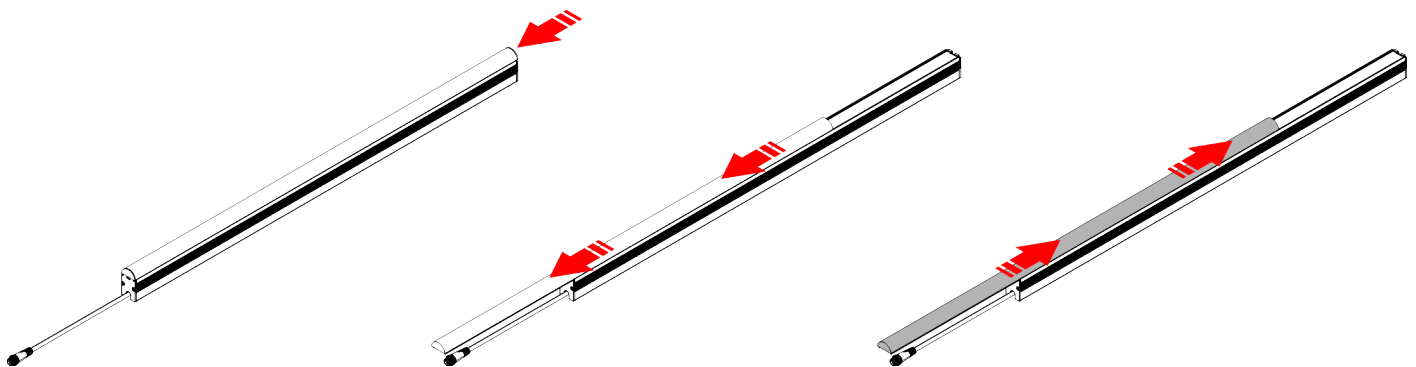
4.5. Diffuser Installation

The Single Strip for Octostrip FLEX – 1M is delivered with a white diffuser and a black diffuser. The white diffuser is installed on the LED strip.

To replace the diffuser on the LED strip:

- 01) Push the **diffuser (04)** at one end and slide it out of the **LED strip housing (01)**.
- 02) Place the other diffuser at the end of the **LED strip housing (01)** and slide it in.

Figure 7



5. Setup and Operation

5.1. Warnings and Precautions



Attention

Connect all data cables before supplying power.

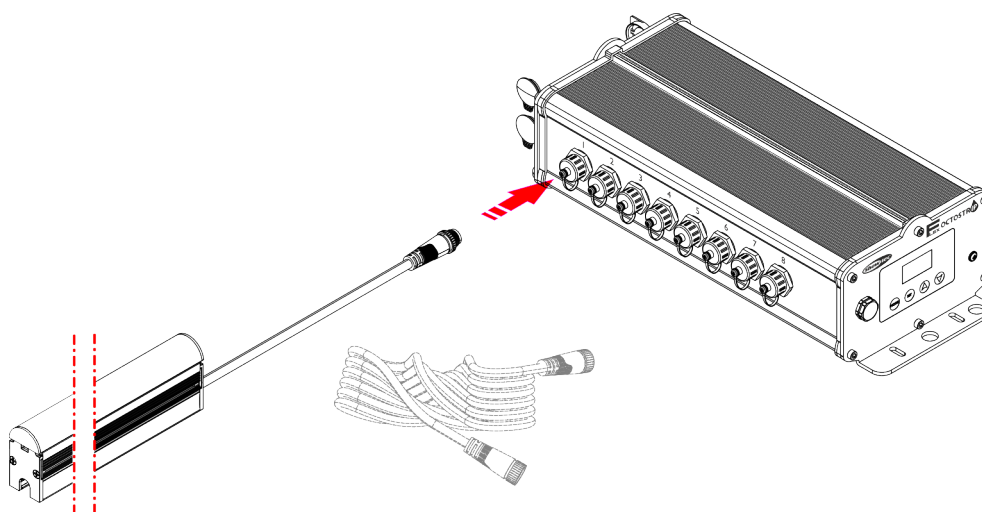
Disconnect power supply before connecting or disconnecting data cables.

5.2. Connecting the LED Strip to the Controller

To connect the LED strip to the controller (see [3.3. Compatibility](#) on page 8):

Connect the **fixed cable with connector IN (05)** of the LED strip to one of the LED strip connectors OUT on the controller. To extend the length, you can use one of the extension cables available for purchase (see [3.5. Optional Accessories](#) on page 9). Contact your Highlite International dealer for more information.

Figure 8



5.3. Connecting to Power Supply

The device has a dedicated connector IN for data and power with a fixed cable (0,3 m). The LED strip is connected to power supply when the Controller for Octostrip FLEX ([42240](#)) is connected to the mains.

Refer to the user manual of the Controller for Octostrip FLEX ([42240](#)) for more information.

To connect the LED strip to power supply:

- 01) Connect the LED strip to the controller.
- 02) Connect the controller to the socket-outlet.

5.4. Operation



Attention

This device must be used only for the purposes it is designed for.

This device is intended for professional use as a LED strip. It can be installed indoors and outdoors. This device is not suitable for households and for general lighting.

Any other use, not mentioned under intended use, is regarded as non-intended and incorrect use.

The Showtec Single Strip for Octostrip FLEX – 1M is designed to be operated only with the Showtec Controller for Octostrip FLEX (see [3.3. Compatibility](#) on page 8).

Refer to the user manual of the Controller for Octostrip FLEX ([42240](#)) for more information.

6. Troubleshooting

This troubleshooting guide contains solutions to problems which can be carried out by an ordinary person. The device does not contain user-serviceable parts.

Unauthorized modifications to the device will render the warranty void. Such modifications may result in injuries and material damage.

Refer servicing to instructed or skilled persons. Contact your Highlite International dealer in case the solution is not described in the table.

Problem	Probable cause(s)	Solution
The device does not function at all	No power to the device	<ul style="list-style-type: none"> Make sure that the device is connected to the power supply and the cables are plugged in
	The internal fuse is blown	<ul style="list-style-type: none"> Disconnect the device and contact your Highlite International dealer
No light or LEDs cut out intermittently	LEDs are damaged	<ul style="list-style-type: none"> Disconnect the device and contact your Highlite International dealer
	The input power parameters of the device do not match local AC voltage and frequency	<ul style="list-style-type: none"> Disconnect the device. Make sure that the local current, voltage and frequency match the input voltage, current and frequency specified on the information label on the device

7. Maintenance

7.1. Safety Instructions for Maintenance



DANGER
Electric shock caused by dangerous voltage inside

Disconnect power supply before servicing or cleaning.

7.2. Preventive Maintenance



Attention
Before each use, examine the device visually for any defects.

Make sure that:

- All screws used for installing the device or parts of the device are tightly fastened and are not corroded.
- The safety devices are not damaged.
- There are no deformations on housings, fixings and installation points.
- The power cables are not damaged and do not show any material fatigue.

7.2.1. Basic Cleaning Instructions

To clean the device, follow the steps below:

- 01) Disconnect the device from the electrical power supply.
- 02) Allow the device to cool down for at least 5 minutes.
- 03) Remove the dust collected on the external surface with dry compressed air and a soft brush.



Attention

- Do not immerse the device in liquid.
- Do not use alcohol or solvents.

7.3. Corrective Maintenance

The device does not contain user-serviceable parts. Do not open the device and do not modify the device.

Refer repairs and servicing to instructed or skilled persons. Contact your Highlite International dealer for more information.

8. Deinstallation, Transportation and Storage

8.1. Instructions for Deinstallation

**WARNING**

Incorrect deinstallation can cause serious injuries and damage of property.

- Let the device cool down before dismantling.
- Disconnect power supply before deinstallation.
- Always observe the national and site-specific regulations during deinstallation and derigging of the device.
- Wear personal protective equipment in compliance with the national and site-specific regulations.

8.2. Instructions for Transportation

- Use the original packaging to transport the device, if possible.
- Always observe the handling instructions printed on the outer carton box, for example: "Handle with care", "This side up", "Fragile".

8.3. Storage

- Clean the device before storing (see [7.2. Preventive Maintenance](#) on page 16).
- Store the device in the original packaging, if possible.

9. Disposal

Correct disposal of this product



Waste Electrical and Electronic Equipment

This symbol on the product, its packaging or documents indicates that the product shall not be treated as household waste. Dispose of this product by handing it to the respective collection point for recycling of electrical and electronic equipment. This is to avoid environmental damage or personal injury due to uncontrolled waste disposal. For more detailed information about recycling of this product contact the local authorities or the authorized dealer.

10. Approval



Check the respective product page on the website of Highlite International (www.highlite.com) for an available declaration of conformity.

