



## 6 in 1 USB-C Multiport Hub

Model #: LQ48003

### Product Manual

Package Contents  
USB-C Multiport Hub x1,  
User Manual x1

[www.LINQbyELEMENTS.dk](http://www.LINQbyELEMENTS.dk)

Thank you for purchasing our 6 in 1 USB-C Multiport Hub.

Please read this user manual carefully and keep it in a safe place for future reference. If you need any assistance, please contact our support team with your product model number and order number of relevant sales channel.

### Product Specifications



#### HDMI Output Port

Up to 4k UHD (3840 x 2160@ 60Hz), supports 1440p / 1080p / 720p / 480p / 360p



#### USB-A 3.1 Port

Super Speed USB, Power Supply up to 4.5W Max.



#### USB-C PD Female Port 1

Charging up to 96W of Power Delivery (Only for laptop charging)



#### USB-C 3.1 Female Port 2

Super Speed USB-C, Power Supply up to 4.5W Max. (Only for Data Transfer)



#### RJ 45 Gigabit Ethernet

Max Ethernet Speeds up to 1000Mbps



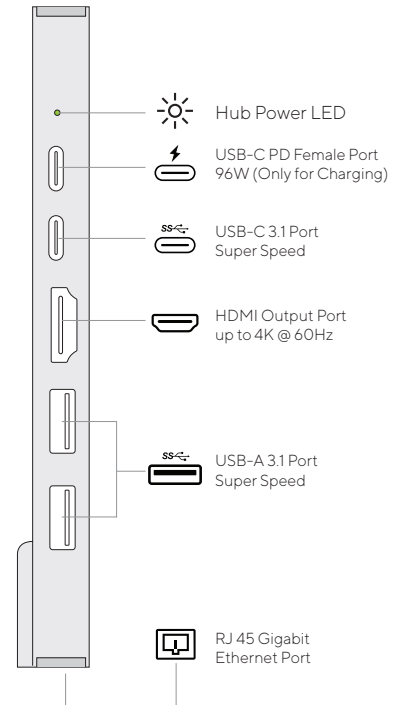
#### USB-C Male

Compatible with Thunderbolt 3, Make sure that the host USB-C port on your device complies with the USB3.0/3.1 Specification

System Requirements:  
Laptop with an available USB-C Port  
Windows 7/8/10, MacOSX v10.0 or above operating systems

Plug and play:  
Yes

### Overview



## Notes

1. Only one hub is included, power adapters, SD/TF memory cards, cables or other accessories are not included.
2. The 96W charging speed can only be acquired when used with a 100W rated USB-C PD cable.
3. The USB-A Port of this product supports Max. 5V 900mAh total charging output.
4. For stable connection when using high-power devices, connect a PD Power Adaptor to the USB-C female PD port.
5. The USB-C female PD port of this product is only for charging USB-C laptops whose USB-C Port supports USB Power Delivery (PD). The PD USB-C female port of this product does not support data transfer.
6. The USB-C female data port of this product is only for data transfer. The USB-C female data port of this product does not support charging.
7. A 4K capable display and a 4K capable HDMI cable are required to achieve 3840 x 2160 resolution.

## Tips

Four ways to help to reduce the USB radio frequency interference to the wireless connection of some laptops.

**Option 1:** Connect the laptop to a 2.4GHz Wi-Fi network.

**Option 2:** Connect devices (e.g. mouse and keyboard) to USB 2.0 ports on the laptop.

**Option 3:** Connect the USB Hub to the laptop with a USB extension cable, keep USB Hub device away from the host computer.

**Option 4:** Use high-quality shielded devices / cables / connectors.

## How to Use

Plug the USB-C male connector of the Hub into the USB-C port on your USB-C laptop.

1. HDMI Output Adapter: Connect to your UHDTV or projector with an HDMI cable via the HDMI output port and watch videos from your USB-C laptop on your TV or other HDMI-enabled devices.
2. SD/TF Card Reader: Insert your memory card into the SD/TF Card Slot to directly access files stored in the SD/TF card on your USB-C laptop. SD/TF memory cards can be used on the hub simultaneously.
3. USB-C Power Delivery: Charge your laptop by plugging the USB-C Charger to the Multiport Hub USB-C Female Power Delivery (PD) port.
4. USB-C Super Speed: Connect your smart phone, tablet, hard drive or other USB-C peripherals via the USB-C 3.1 Port and transfer data between your computer and connected device.

5. USB-A Super Speed: Connect your smart phone, tablet, mouse, keyboard, hard drive or other USB peripherals via the USB-A 3.1 ports and transfer data between your computer and connected device.