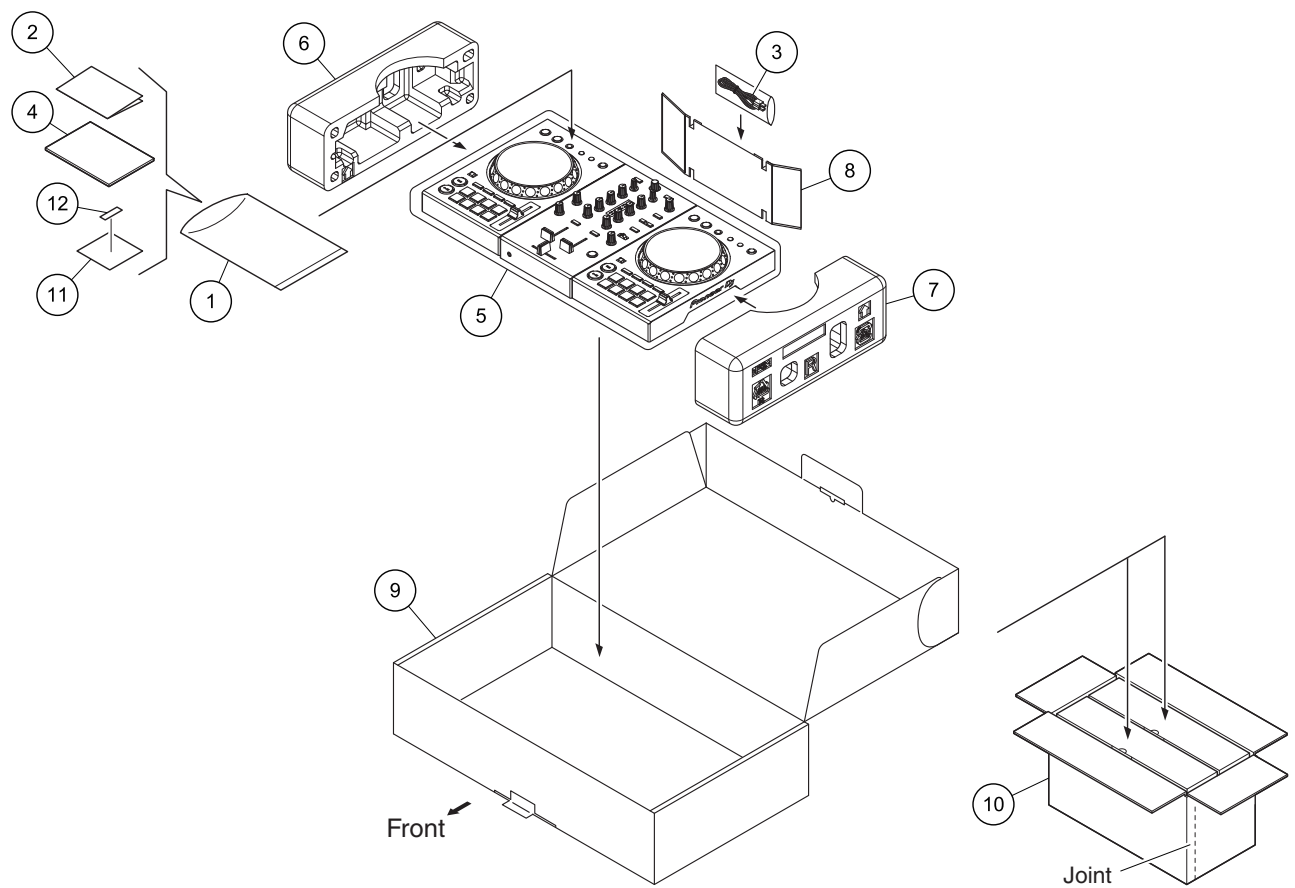


**NOTES:**

- Parts marked by "NSP" are generally unavailable because they are not in our Master Spare Parts List.
- The  $\triangle$  mark found on some component parts indicates the importance of the safety factor of the part. Therefore, when replacing, be sure to use parts of identical designation.
- Screws adjacent to  $\blacktriangledown$  mark on product are used for disassembly.
- For the applying amount of lubricants or glue, follow the instructions in this manual. (In the case of no amount instructions, apply as you think it appropriate.)

## 9.1 PACKING SECTION



### (1) PACKING SECTION PARTS LIST

Mark No.	Description	Part No.	Mark No.	Description	Part No.
NSP 1	Polyethylene Bag	AHG7117	6	Packing Pad	DHA1978
NSP 2	Warranty	See Contrast table (2)	7	Packing Pad	DHA1979
3	USB Cable	DDE1150	8	Partition/ACC	DHC1085
4	Operating Instructions (Quick Start Guide)	See Contrast table (2)	9	Packing Case	See Contrast table (2)
5	Packing Sheet	AHG7053	10	Master Carton	See Contrast table (2)
NSP 11	Leaflet				DRM1410
NSP 12	License Key Label ASSY				DXA2304

### (2) CONTRAST TABLE

SXJ and XJCN are constructed the same except for the following:

Mark	No.	Symbol and Description	SXJ	XJCN
NSP	2	Warranty	DRY1270	Not used
	4	Operating Instructions (Quick Start Guide)	DRH1505	DRH1506
	9	Packing Case	DHG3628	DHG3629
	10	Master Carton	DHG3631	DHG3632